



Parts Manual

Model F-Series Sideshifter

Serial Number 55F-SSS-689

cascade[®]
corporation

For Technical Assistance call: 800-227-2233, Fax: 888-329-8207

To Order Parts call: 888-227-2233, Fax: 888-329-0234

OR

Write: Cascade Corporation, P.O. Box 20187, Portland, OR 97220

Internet: www.cascorp.com

INSPECTION & MAINTENANCE



WARNING: After completing any service procedure, always test the sideshifter through five complete cycles. First test with no load, then test with a load to make sure the attachment operates correctly before returning it to the job.

Daily

Check items shown each day. Report problems to your supervisor. See Service Manual for maintenance and repair procedures.

100-Hour

Every time the lift truck is serviced or every 100 hours of truck operation, whichever comes first, complete the following maintenance procedures:

- Check for loose or missing bolts, worn or damaged hoses, hydraulic leaks, and damaged or missing fork stops.
- Inspect clearance between sideshifter lower hooks and truck lower carriage bar (Refer to Step 4, Installation). Tighten lower hook capscrews to 120 ft.-lbs (165 Nm).

500-Hour

After each 500 hours of truck operation, in addition to the 100-hour maintenance, perform the following procedures:

- Tighten backrest capscrews (Cascade) to 145 ft.-lbs. (195 Nm).
- Apply general-purpose lithium-based chassis grease to Sideshifter upper and lower bearings.



1000-Hour

After each 1000 hours of truck operation, in addition to the 100 and 500-hour maintenance, perform the following procedures:

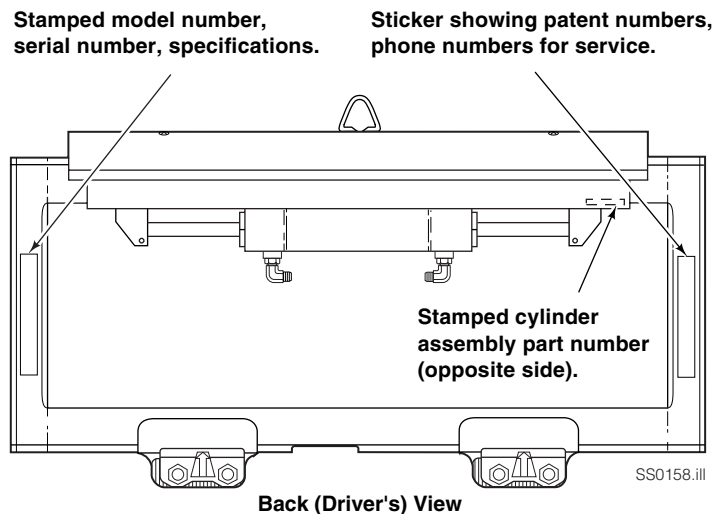
- Inspect upper and lower bearings for wear. If any bearing is worn to less than 3/32 in. (2.5 mm) thickness, replace the entire bearing set. See Service Manual for replacement procedure.
- Inspect forks for wear (Use Cascade fork bar wear gauge 209560 and fork wear calipers 686093).

PARTS

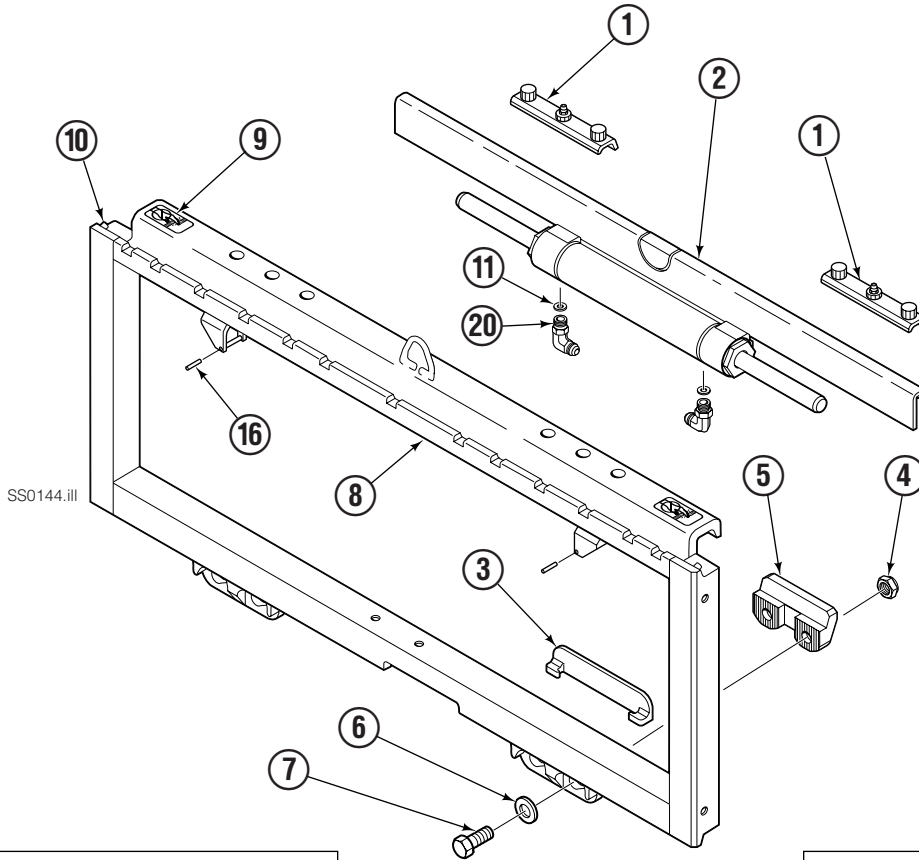
Product Identification – This Section shows replacement parts for F-Series Sideshifters. The product model number and serial number are stamped on the back surface of the LH vertical bar (driver's view), and must be provided when ordering replacement parts. The cylinder/anchor bracket assembly part number is stamped on the front surface RH end of the anchor bracket (driver's view).



WARNING: For the safety of yourself and others, DO NOT install the parts shown in this Manual unless you have thoroughly reviewed the appropriate Service Manual.

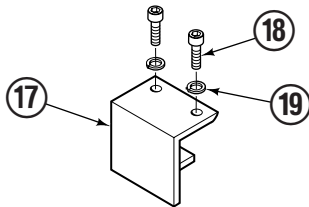


Back (Driver's View)



SS0144.iii

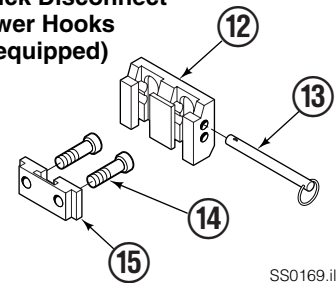
Optional Pallet Guard



SS0174.iii

Front View

Quick Disconnect Lower Hooks (if equipped)



SS0169.iii

| 55F | | | | | | | |
|-----|-----|----------|----------------------------------|-----|--------|------------------------|---------------------------------|
| REF | QTY | PART NO. | DESCRIPTION | REF | QTY | PART NO. | DESCRIPTION |
| 1 | ▼ | 228782 | Upper Bearing | 13 | 2 | 678832 | Pin, Q.D. |
| 1 | ▼ | 228782 | Upper Bearing | 14 | 4 | 683182 | Capscrew, M16 x 35 |
| 2 | 1 | 6025685 | Cylinder Assembly ■ | 15 | 2 | 675515 | Guide |
| 3 | ▼ | 6000719 | Lower Bearing | 16 | 2 | 7891 | Roll Pin |
| ★ 4 | 4 | 553857 | Nut, 5/8 NC, G5 | ◆17 | 1 | 220689 | Pallet Guard |
| ★ 4 | 4 | 781534 | Nut, M16 | ◆18 | 2 | 769573 | Capscrew, M16 |
| ★ 5 | 2 | 204186 | Lower Hook | ◆19 | 2 | 684586 | Lockwasher |
| ★ 6 | 4 | 667225 | Washer, 5/8 HS | 20 | 2 | 601676 | Fitting-90, JIC 6-6 |
| ★ 7 | 4 | 639121 | Capscrew, 5/8 NC x 1.5, G5 | | 2 | 207304 | Fitting-90, JIC 6-6, Long |
| ★ 7 | 4 | 766154 | Capscrew, M16 x 45, G8.8 | | 2 | 667222 | Fitting-90, JIC 5-6 |
| 8 | 1 | 6035201 | Frame ● | | 2 | 666984 | Fitting-90, JIC 4-6 |
| 9 | 2 | 221906 | Safety Decal | | 2 | 604511 | Fitting-STR, JIC 6-6 |
| 10 | 1 | 219400 | Fork Stop Kit (Includes 2 stops) | | 2 | 211807 | Fitting-90, Face Seal Adpt 4-6 |
| 11 | 2 | 221733 | Flow Restrictor, 1.5 mm | | 2 | 220832 | Fitting-STR, Face Seal Adpt 4-6 |
| 12 | 2 | 675514 | Q.D. Lower Hook, Class II | 1 | 204182 | Lower Hook Service Kit | |

● If Frame needs replacing, order complete Sideshift Assembly.

★ Included in Lower Hook Group 204182.

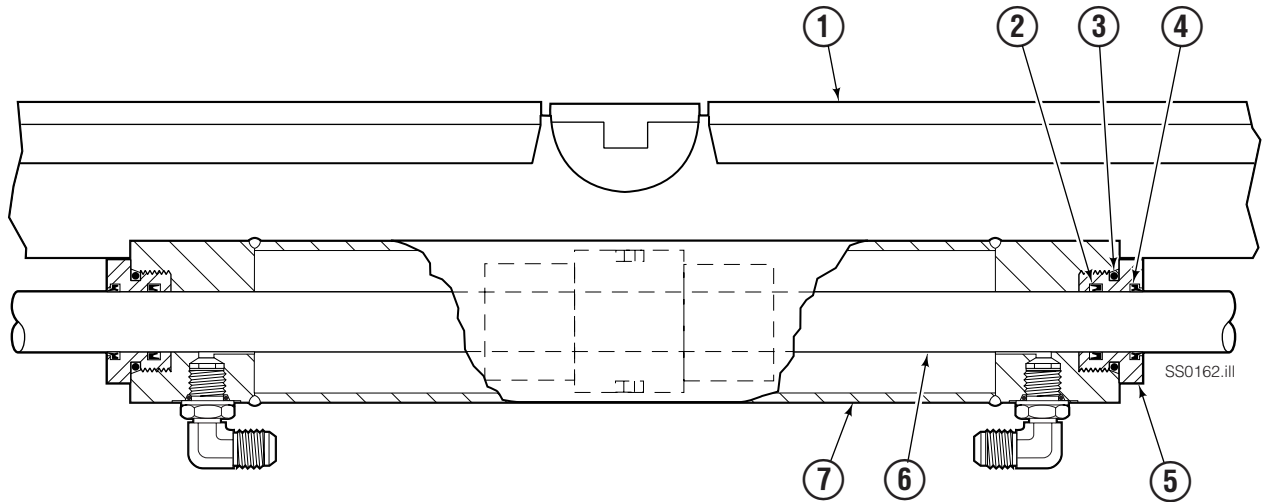
■ See Cylinder page for parts breakdown.

▼ Quantity as required.

Reference: Fitting Group 204179, Common Parts 219614, Restrictor Washer Group 221732.

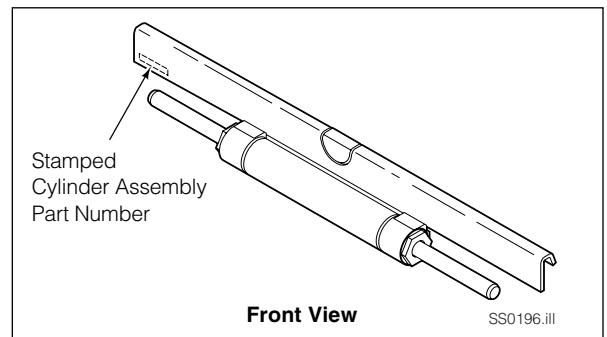
PARTS

Cylinder Assembly



| 55F | | | |
|-----|-----|----------|-----------------------|
| REF | QTY | PART NO. | DESCRIPTION |
| 1 | 1 | 6025685 | Cylinder Assembly ♦ |
| ●2 | 2 | 562132 | Rod Seal |
| ●3 | 2 | 415866 | O-Ring, 70 Duro |
| ●4 | 2 | 562131 | Rod Wiper Seal |
| 5 | 2 | 218324 | Retainer/Seal Carrier |
| 6 | — | ■ | Rod/Piston Assembly |
| 7 | — | ■ | Cylinder Shell |
| | | 219868 | Rod Seal Service Kit |

- Included in Service Kit 219868.
 - Not serviceable, order new Cylinder Assembly.
 - ♦ Refer to complete part number stamped on anchor bracket, or serial number stamped on frame.
- Reference: S-10039.



Recommended Spare Parts

| 55F | | UNITS SERVICED | | |
|-------------------------------|----------------------|----------------|------|-------|
| PART NUMBER | DESCRIPTION | 1-5 | 6-19 | 20-50 |
| BASE UNIT AND MOUNTING | | | | |
| 228782 | Upper Bearing | 8 | 16 | 32 |
| 6000719 | Lower Bearing | 6 | 12 | 24 |
| 204186 | Lower Hook | 0 | 2 | 4 |
| ■ | Capscrew | 0 | 4 | 8 |
| ■ | Nut | 0 | 4 | 8 |
| 667225 | Washer | 0 | 4 | 8 |
| CYLINDER | | | | |
| 10039-4■ | Cylinder Assembly | 0 | 0 | 1 |
| 219868 | Cylinder Service Kit | 1 | 2 | 4 |

■ See specific parts page for part number.

Publications



| 55F | |
|----------|--|
| PART NO. | DESCRIPTION |
| 219941 | User Manual (Operation, Installation, Parts) |
| 220526 | Service Manual |
| 679929 | Tool Catalog |
| 673964 | Literature Index Order Form |

Do you have questions you need answered right now? Call your nearest Cascade Parts Department. Visit us online at www.cascorp.com

Cascade Corporation

2501 Sheridan Avenue
Springfield, OH 45505
Tel: 888-CASCADE (227-2233)
FAX: 888-329-0234

Cascade Canada Inc.

5570 Timberlea Blvd.
Mississauga, Ontario
Canada L4W-4M6
Tel: 905-629-7777
FAX: 905-629-7785

Cascade GmbH

Dahlener Strasse 570
41239 Mönchengladbach
Germany
Tel: 02166-68230
FAX: 02166-682323

Cascade Finland

A. Petreliuksenkatu 3
01370 Vantaa
Finland
Tel: 09-8361925
FAX: 09-8361935

**Cascade N.V.
Benelux Sales and Service**

Damsluisweg 56
PO Box 3009
1300 El Almere
The Netherlands
Tel: 036-5492950
FAX: 036-5492974

Cascade (UK) Ltd.

Unit 5, Eden Close
Hellaby Lane Ind. Estate
Heellaby,
Rotherham S66 8RW
England
Tel: 01709-704500
FAX: 01709-704501

**Sales Scotland
Macade Systems Ltd.**

18 Melford Road
Righead Ind. Estate
Bellshill ML4 3LR
Scotland
Tel: 01698-845777
FAX: 01698-845888

Cascade (Africa) Pty. Ltd.

PO Box 625, Isando 1600
60A Steel Road
Sparton, Kempton Park
South Africa
Tel: 975-9240
FAX: 394-1147

Cascade Scandinavia AB

Hammarvägen 10
PO Box 124
S-56723 Vaggeryd
Sweden
Tel: 039-336950
FAX: 039-336959

**Cascade France
S.A.R.L. MHP**

1D Rue De Charaintru
BP 18,
91360 Epinay-Sur-Orge
France
Tel: 01-6454-7500
FAX: 01-6454-7501

Cascade Hispania S.A.

Carrer 5, Sector C
Zona Franca Duanera
Poligono de la Zona Franca
08040 Barcelona
Spain
Tel: 93-264-07-30
FAX: 93-264-07-31

Sales Italy

Via Ponzano 11
50047 Prato
Italy
Tel: 0574-571726
FAX: 0574-571726
Mobile Phone: 0337-673029

**Sales Portugal FAG
Santos Lda**

Rua do Mercado
Lte 6, Loja 2-Tires
2785-630
S. Domingos De Rana
Portugal
Tel: 214-448-083
FAX: 214-458-098

**Sales Switzerland
Fahrzeugbedarf**

8810, Horgen
Switzerland
Tel: 01-7279797
FAX: 01-7279798

Sales Poland

Targowa 35/61
03-728 Warszawa
Tel: 022-619 00 49
FAX: 022-619 00 49
Mobile Phone: 0501-27 29 55

Sales Russia

EMCG Material Handling
Equipment
Moscow
Tel: 095-795-2400
FAX: 095-795-2475
Email: emcg@dol.ru

Cascade Japan Ltd.

5-5-41,
Torikai Kami
Settsu, Osaka
Japan, 566
Tel: 81-726-53-3490
FAX: 81-726-53-3497

Cascade Korea

108B Namdong Ind. Complex
658-3 Gojan-Dong
Namdong-Gu
Inchon, 405-310 Korea
Tel: 82-32-821-2051
FAX: 82-32-821-2055

Cascade Australia

1445 Ipswich Road
Rocklea, QLD 4106
Australia
Tel: 1-800227-223
FAX: (07) 3373-7333

Cascade New Zealand

15 Ra Ora Drive
East Tamaki, Auckland
New Zealand
Tel: 9-273-9136
FAX: 9-273-9137

Cascade-Xiamen

No. 668 Yangguang Rd.
Xinyang Industrial Zone
Haicang, Xiamen City
Fujian Province
P.R. China 361026
Tel: 86-592-651-2500
FAX: 86-592-651-2571

**Cascade (Singapore)
Trading Co.**

Four Seasons Park
Autumn Block - Apt. 1802
12 Cuscaden Walk
Singapore
Tel: 65-834-1935
FAX: 65-834-1936

