



# Parts Manual

---

Model 30E Rotator

Serial Number 30E-RRB-14AR0

---

**cascade**<sup>®</sup>  
**corporation**

**For Technical Assistance call:** 800-227-2233, Fax: 888-329-8207

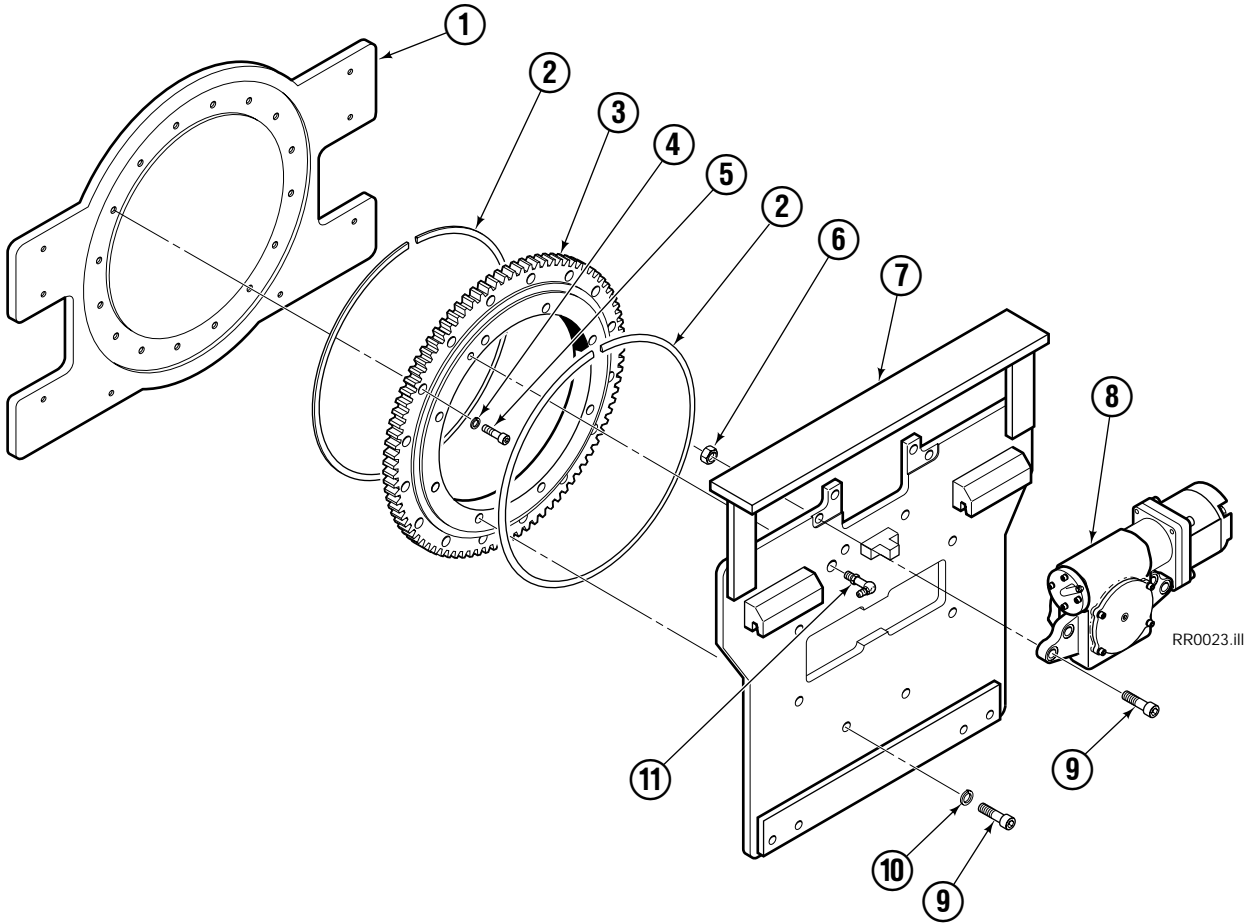
**To Order Parts call:** 888-227-2233, Fax: 888-329-0234

**OR**

**Write:** Cascade Corporation, P.O. Box 20187, Portland, OR 97220

**Internet:** [www.cascorp.com](http://www.cascorp.com)

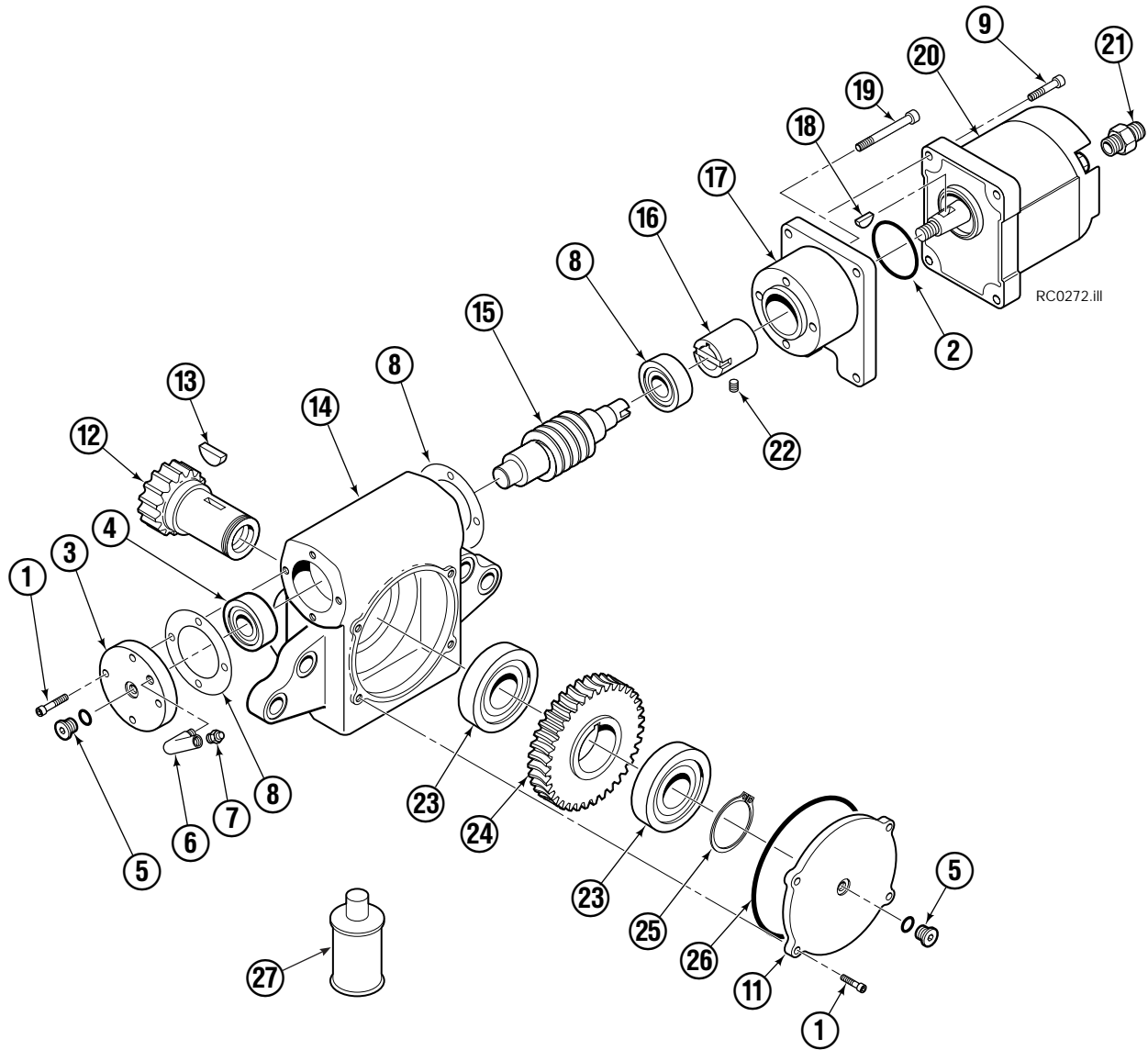
# Base Unit Group



30E			
REF	QTY	PART NO.	DESCRIPTION
		201085	Base Unit Group
1	1	201800	Faceplate
2	2	673043	Seal
3	1	201082	■ Bearing Assembly
4	16	678991	Lockwasher
5	16	768827	Capscrew
6	4	678990	Nut
7	1	201083	Baseplate
8	1	679106	◆ Drive Group
9	12	762613	Capscrew
10	8	678992	Lockwasher
11	1	201080	Grease Fitting

- Includes item 2.
- ◆ See Drive Group page for replacement parts breakdown.

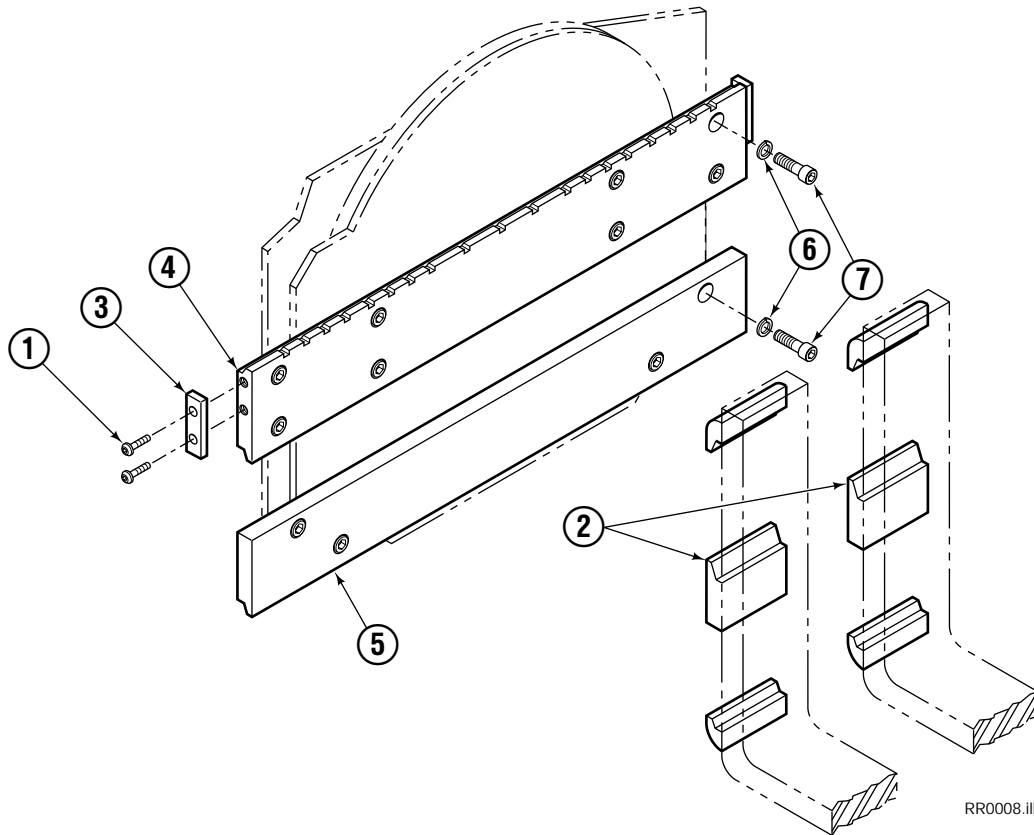
# Drive Group



## 30E

REF	QTY	PART NO.	DESCRIPTION	REF	QTY	PART NO.	DESCRIPTION
		679106	Drive Group	15	1	679109	Worm
1	4	768786	Capscrew, M6 X 25-8.8	16	1	679118	Coupling
2	1	643352	O-Ring	17	1	679115	Adapter
3	1	679114	End Cap	18	1	678999	Key
4	2	678985	Bearing	19	4	768792	Capscrew, M6 X 60-8.8
5	2	663694	Fitting, 3	20	1	206418	Motor
6	1	6688	Fitting, 2	21	2	626505	Fitting, 10-6
7	1	644010	Relief Fitting	22	1	678994	Setscrew
8	2	679808	Shim-.002 in.(.05mm)	23	2	678986	Bearing
9	4	768787	Capscrew, M6 X 30-8.8	24	1	679110	Worm Gear
10	4	752845	Capscrew, M6 X 16-8.8	25	1	678987	Snap Ring
11	1	679112	Cover	26	1	643368	O-ring
12	1	679111	Pinion	27	1	656300	Gear Lube (48 oz.)
13	1	201815	Key			206419	Motor Shaft Seal Kit
14	1	679107	Gear Case			206421	Motor Service Kit

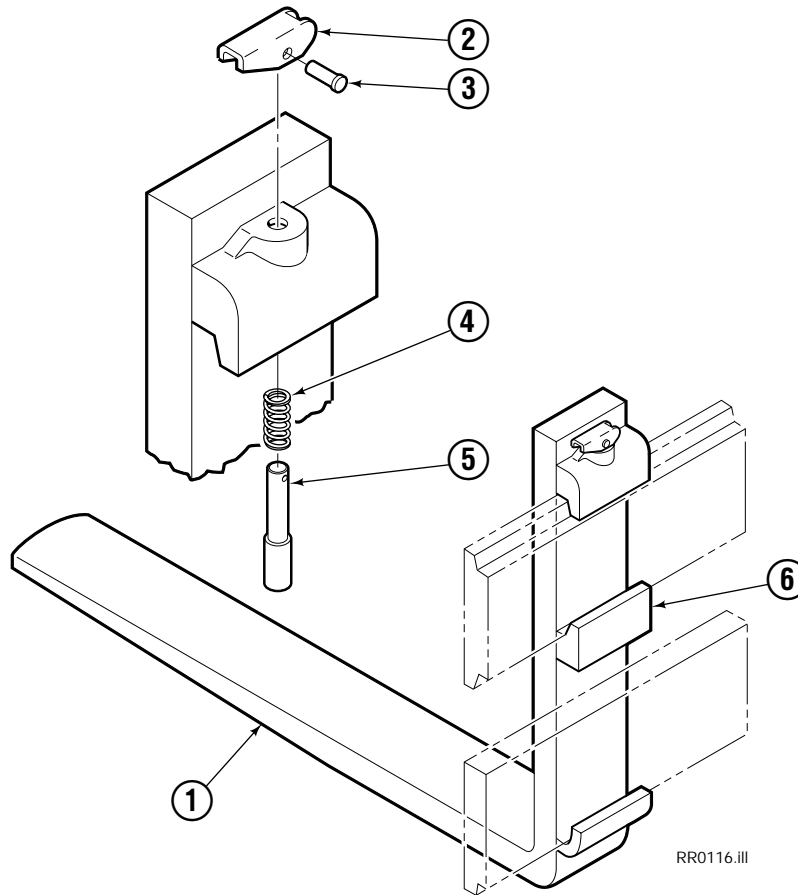
# Fork Bar Group



30E			
REF	QTY	PART NO.	DESCRIPTION
		<b>680087</b>	■ Fork Bar Group
		680088	Fork Bar Group
1	4	680084	Capscrew
2	2	689279	Middle Hook
3	2	624394	Keeper
4	1	680085	Upper Fork Bar
5	1	680086	Lower Fork Bar
6	12	678992	Lockwasher
7	12	768838	Capscrew, M16 X 30-8.8

■ Does not include item 2.

# Adjustable Forks

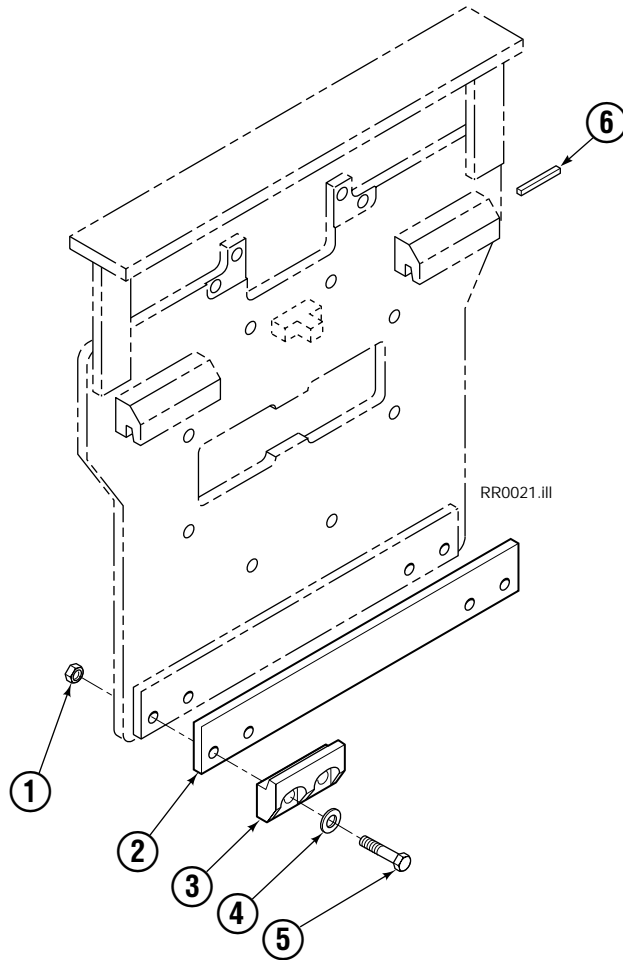


30E						
REF	QTY	30" PART NO.	36" PART NO.	42" PART NO.	48" PART NO.	DESCRIPTION
		633042	633043	633044	<b>633045</b>	Fork Assembly
1	1	645602	645603	645604	645605	● Fork
2	1	622897	622897	622897	622897	Handle
3	1	8007	8007	8007	8007	Rivet
4	1	622908	622908	622908	622908	Spring
5	1	622907	622907	622907	622907	Pin
6	1	689279	689279	689279	689279	■ Middle Hook

● Includes item 6 welded in place.

■ Required when using customer supplied forks.

# Mounting Group ITA II - 0°



30E			
REF	QTY	PART NO.	DESCRIPTION
		680024	Mounting Group
1	4	678990	Nut
2	1	679148	Spacer
3	2	675968	Hook
4	4	667225	Washer
5	4	678997	Capscrew
6	1	669344	Stop Kit



**Do you have questions you need answered right now?** Call your nearest Cascade Parts Department.

**Cascade Corporation**  
2501 Sheridan Avenue  
Springfield, OH 45505  
Tel: 888-CASCADE (227-2233)  
FAX: 888-329-0234  
www.cascorp.com

**Cascade Canada Inc.**  
5570 Timberlea Blvd.  
Mississauga, Ontario  
Canada L4W-4M6  
Tel: 905-629-7777  
FAX: 905-629-7785

**Cascade GmbH**  
D-41199 Monchengladbach  
Klosterhofweg 52  
Germany  
Tel: 21-66-602091  
FAX: 21-66-680947

**Cascade Finland**  
01370 Vantas  
Finland  
Tel: 358-0-836-1925  
FAX: 358-0-836-1935

**Cascade N.V.  
European Headquarters**  
P.O. Box 3009  
1300 El Almere  
Damsluisweg 56  
1332 ED Almere  
The Netherlands  
Tel: 31-36-5492911  
FAX: 31-36-5492964

**Cascade N.V.  
Benelux Sales and Service**  
P.O. Box 3009  
1300 El Almere  
Damsluisweg 56  
1332 ED Almere  
The Netherlands  
Tel: 31-36-5492950  
FAX: 31-36-5492974

**Cascade (UK) Ltd.**  
15, Orgreave Crescent  
Dore House Industrial Estate  
Handsworth  
Sheffield S13 9NQ  
England  
Tel: 742-697524  
FAX: 742-695121

**Cascade Scandinavia  
Hydraulik A.B.**  
Muskötgatan 19, E8-9  
S25466 Helsingborg  
Sweden  
Tel: 42-151135  
FAX: 42-152997

**Cascade Norway**  
Østerliveien 37A  
1153 Oslo  
Norway  
Tel: 47-22-743160  
FAX: 47-22-743157

**Cascade France S.A.R.L.**  
11, Rue Jean Charcot  
Zone Industrielle Sud or  
B.P. 22  
91421 Morangis Cedex  
France  
Tel: 1- 64547501  
FAX: 1-9790584

**Cascade Hispania S.A.**  
Avenida De La Fabregada, 7  
Hospitalet De Llobregat  
Barcelona  
Spain  
Tel: 3-335-5158  
FAX: 3-335-4756

**Cascade Japan Ltd.**  
5-5-41,  
Torikai Kami  
Settsu, Osaka  
Japan, 566  
Tel: 81-726-53-3490  
FAX: 81-726-53-3497

**Cascade Korea**  
Room 508, Pum Yang Bldg.  
750-14, Bang Bac-Dong  
Se-Cho Ku, Seoul  
Korea  
Tel: 2599-7131 ext. 512  
FAX: 2533-8089

**HYCO-Cascade Pty. Ltd.**  
1445 Ipswich Road  
Rocklea,  
Queensland 4107  
Australia  
Tel: 3-274-2722  
FAX: 3-274-3456

**HYCO-Cascade (NZ) Ltd.**  
15 Ra Ora Drive, East Tamaki  
P.O. Box 38-440  
Howick, Auckland  
New Zealand  
Tel: 9-273-9136  
FAX: 9-273-9137

**Cascade (Africa) Pty. Ltd.**  
P.O. Box 625, Isando 1600  
60A Steel Road  
Sparton, Kempton Park  
South Africa  
Tel: 975-9240  
FAX: 394-1147

**Cascade-Xiamen**  
Wanshan No. 1 Workshop  
Huli Road  
Xiamen 361006  
Fujian, PRC  
Tel: 592-562-4600  
FAX: 592-562-4671

**Cascade (Singapore)  
Trading Co.**  
Four Seasons Park  
Autumn Block - Apt. 1802  
12 Cascaden Walk  
Singapore  
Tel: 65-834-1935  
FAX: 65-834-1936

