



Parts Manual

Model _____ Rotator _____

Serial Number _____ 120D-RRB-16C R0 _____

cascade®
corporation

For Technical Assistance call: 800-227-2233, Fax: 888-329-8207

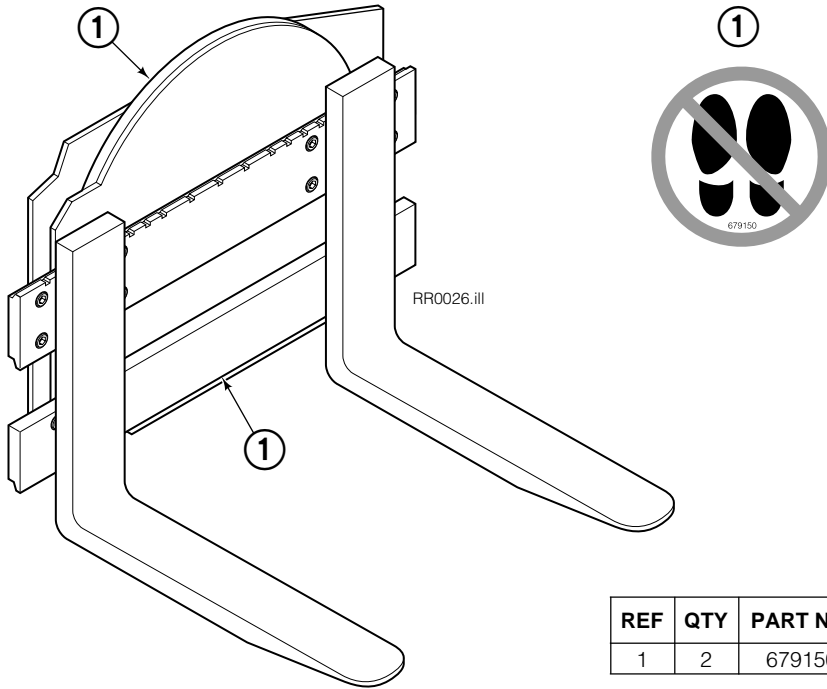
To Order Parts call: 888-227-2233, Fax: 888-329-0234

OR

Write: Cascade Corporation, P.O. Box 20187, Portland, OR 97220

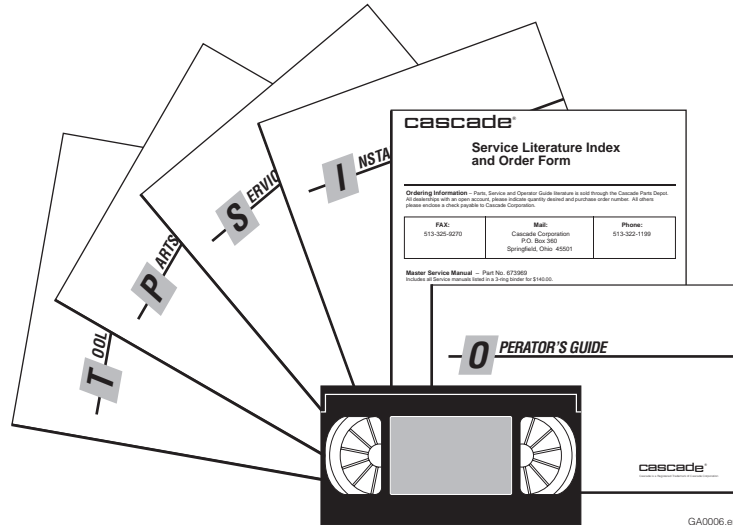
Internet: www.cascorp.com

Safety Decals



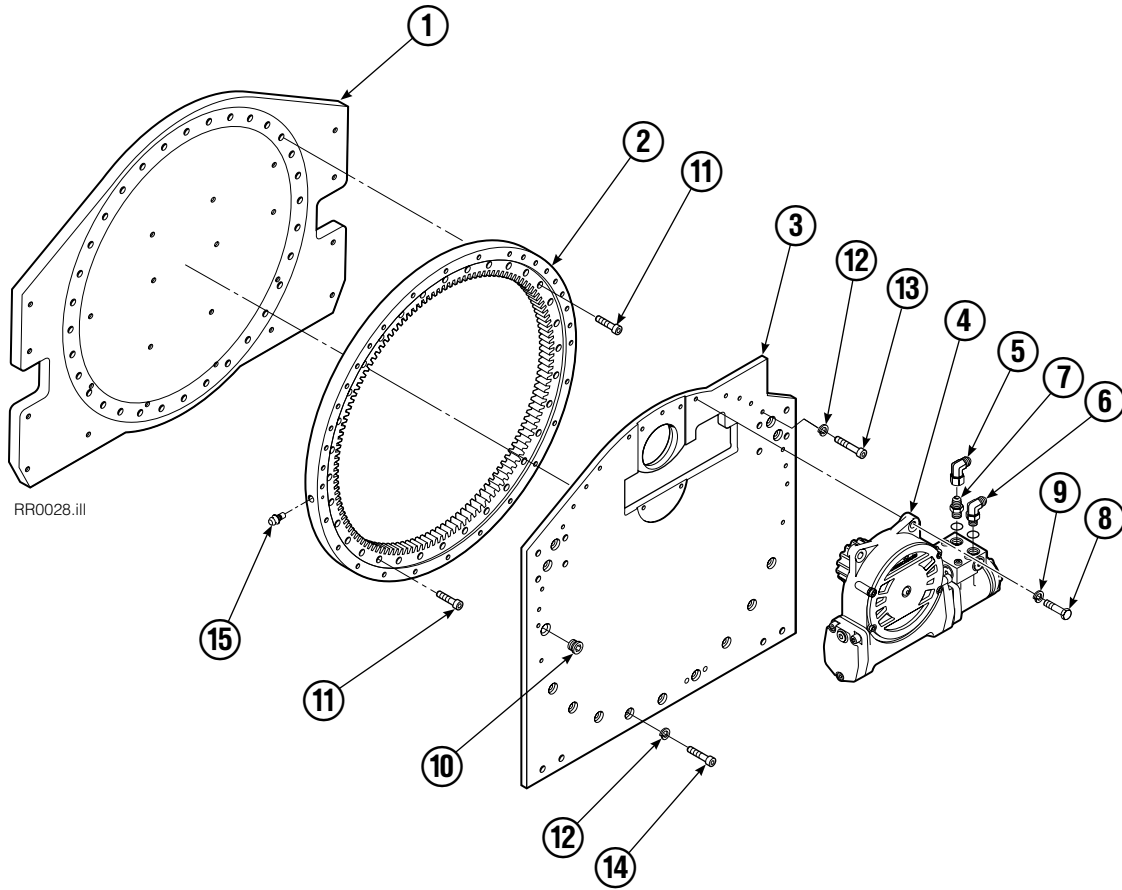
REF	QTY	PART NO.	DESCRIPTION
1	2	679150	No Step Decal

Publications



PART NO.	DESCRIPTION
	Parts Manual
672946	Service Manual
672714	Operators Guide
672327	Installation Instructions
679929	Tool Catalog
673964	Literature Index Order Form

Rotator Group

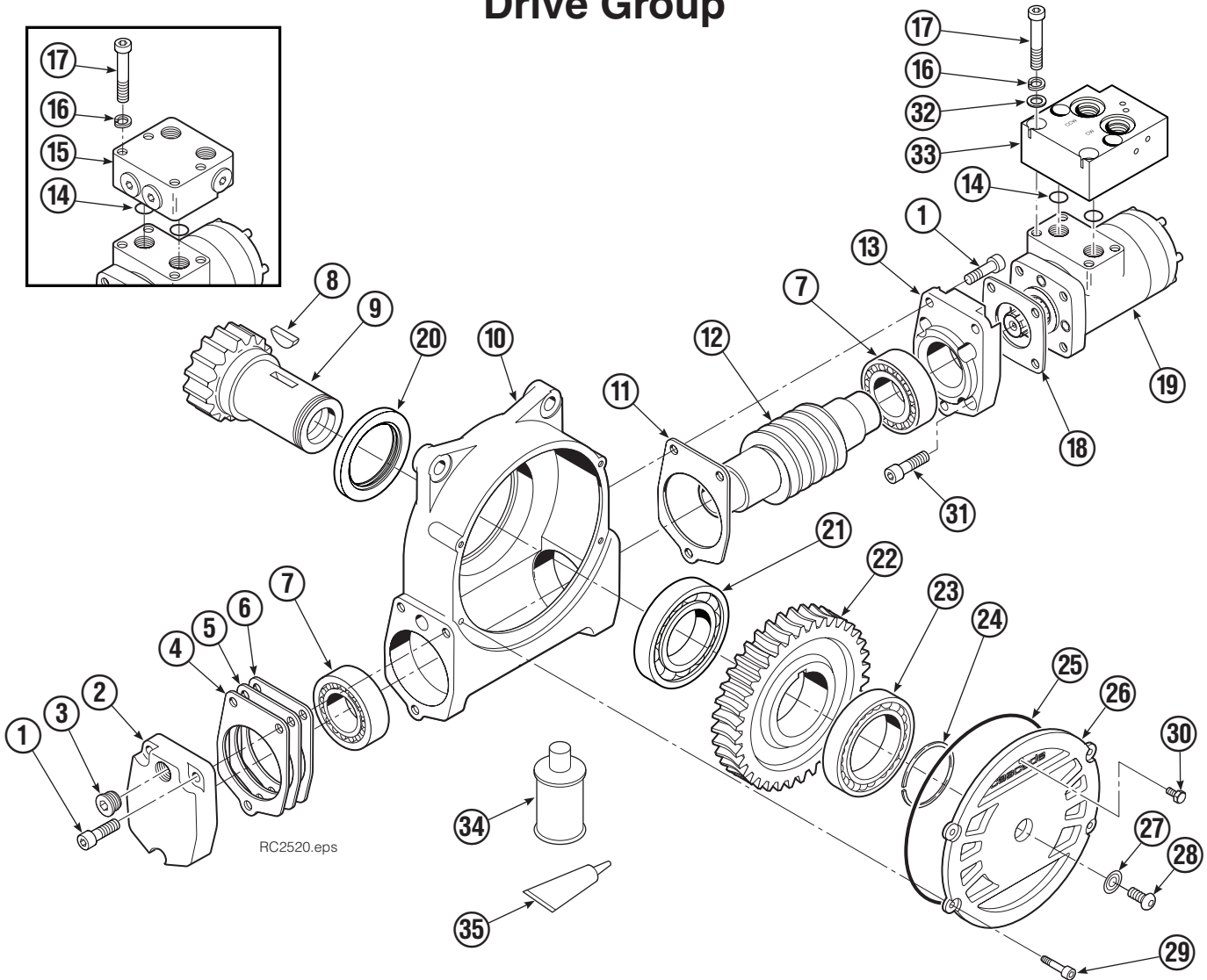


REF	QTY	PART NO.	DESCRIPTION
		215078	Frame Group
1	1	213144	Faceplate
2	1	214481	Bearing Assembly
3	1	214555	Baseplate
4	1	795492	Drive Group ▲
5	1	605761	Fitting, 8-8
6	1	601250	Fitting, 8-8
7	1	601377	Fitting, 8-8
8	4	763021	Capscrew, M12 x 30
9	4	6290	Lockwasher, 1/2
10	1	664071	Plug
11	32	768828	Capscrew, M12 x 45
12	32	681473	Washer, M12
13	19	213633	Capscrew, M12 x 55
14	13	206174	Capscrew, M12 x 45
15	1	7401	Grease Fitting

▲ See Drive Group page for parts breakdown.

Reference: Common Parts Group 215086.

Drive Group



REF	QTY	PART NO.	DESCRIPTION	REF	QTY	PART NO.	DESCRIPTION
		795492	Drive Group with 2.8 c.i. Motor	19	1	206392	Drive Motor – 2.8 c.i. ■
1	6	769570	Capscrew, M12 x 25	20	1	3014870	Seal
2	1	676855	Cover	21	1	6033892	Bearing ★
3	1	604510	Fitting, 6	22	1	675609	Worm Gear
4	●	670574	Shim – .010" (brown)	23	1	670581	Bearing
5	●	671757	Shim – .015" (pink)	24	1	7214	Snap Ring
6	●	671758	Shim – .020" (yellow)	25	1	643423	O-Ring
7	2	670579	Bearing	26	1	775552	Cover
8	1	670582	Key	27	1	783609	Seal
9	1	670556	Pinion	28	1	783608	Capscrew, M12 x 16
10	1	775551	Housing	29	4	200882	Capscrew, M8 x 20
11	1	686465	Gasket	30	1	644010	Relief Fitting
12	1	675608	Worm	31	4	4468	Capscrew, 3/8 x .75
13	1	775553	Adapter	32	4	221494	Washer, M8
14	2	2705	O-Ring	33	1	6063316	Check Valve ◆
15	1	670549	Check Valve ◆	34	1	656300	Gear Box Lube – 48 oz.
16	4	6444	Lockwasher	35	1	668184	Sealant
17	4	607059	Capscrew, 5/16 x 1.75			670578	Shim Service Kit (items 4-6,11,25,35)
18	1	670575	Gasket			212919	Motor Kit–2.2 (items 11,14,18,19,35)

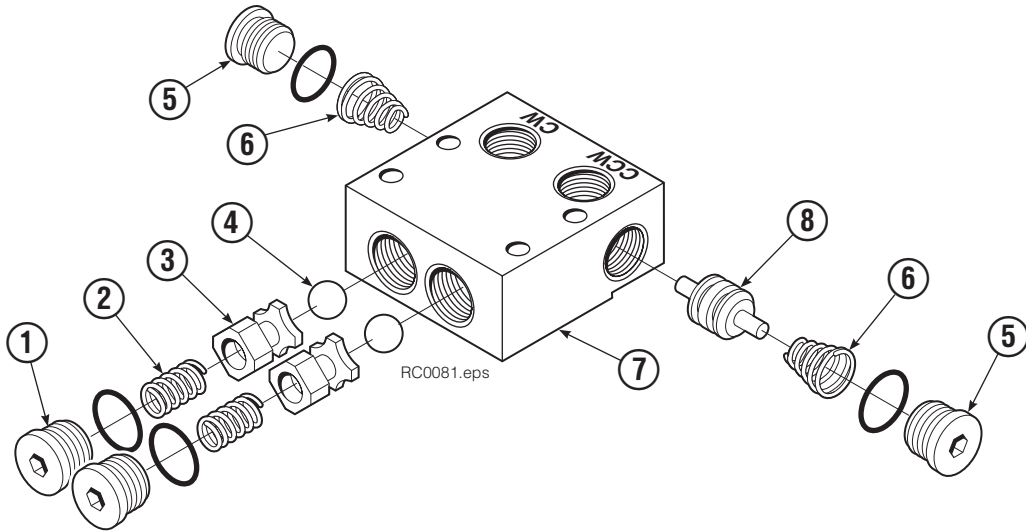
● Quantity as required.

◆ See Valve page for parts breakdown.

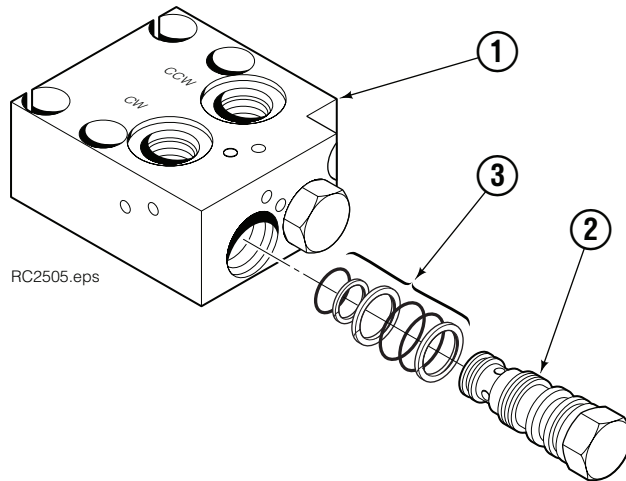
■ See Drive Motor page for parts breakdown.

★ For service replacement use Bearing 670580.

Check Valve

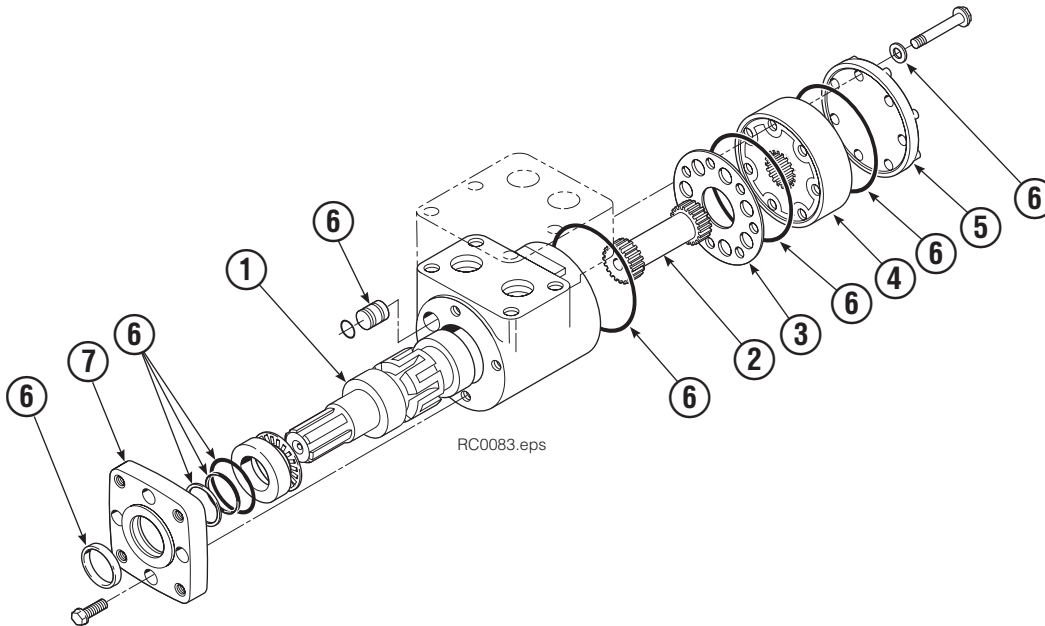


REF	QTY	PART NO.	DESCRIPTION
		670549	Check Valve Assembly
1	2	609453	Fitting, 10
2	2	670552	Spring
3	2	670551	Guide
4	2	7020	Ball
5	2	602580	Fitting, 8
6	2	673989	Spring
7	1	670550	Body
8	1	670553	Spool



REF	QTY	PART NO.	DESCRIPTION
		6063316	Check Valve Assembly
1	1	6063282	Valve Body
2	2	6038929	Check Valve – PO
3	2	667516	Service Kit

Drive Motor

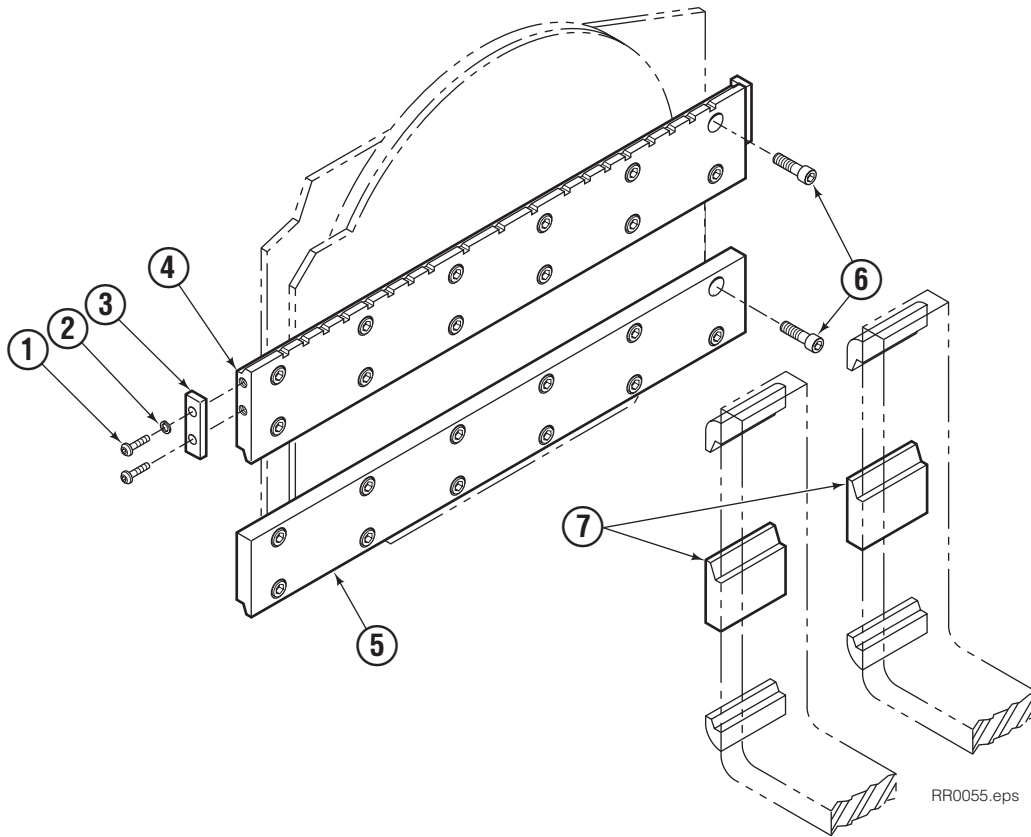


REF	QTY	PART NO.	DESCRIPTION
		206392	Drive Motor – 2.8 c.i.
1	1	675478	Shaft
2	1	675477	Drive
3	1	675479	Spacer Plate
4	1	675480	Gerotor Set (101-1768-007) ■
	1	685075	Gerotor Set (101-1768-009) ■
5	1	675482	End Cap
6	1	206405	Service Kit ●
7	1	685089	Flange (101-1768-007) ■
	1	685090	Flange (101-1768-009) ■

Cascade provides service replacement parts for the listed parts only. Due to cost, if other parts need replacement, the complete drive motor should be replaced.

- See Nameplate under valve for correct part number of Gerotor Set and Flange.
- Compatible with water glycol based hydraulic fluids.

Fork Bar Group

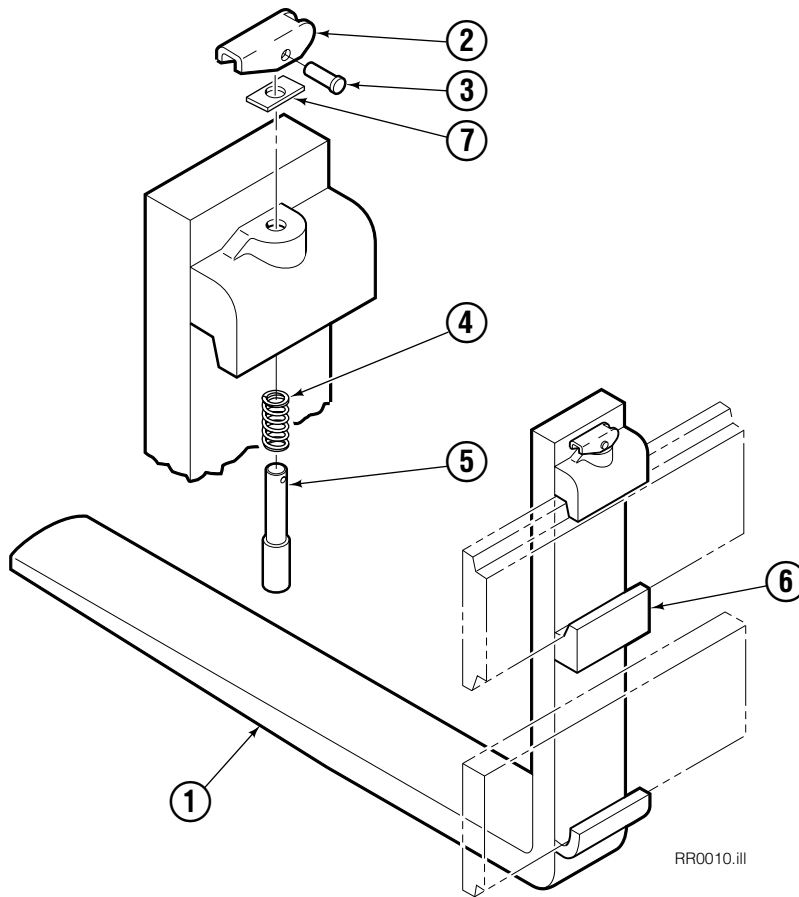


RR0055.eps

120D			
REF	QTY	PART NO.	DESCRIPTION
		206780	Fork Bar Group – 49"
1	4	4880	Capscrew, 1/2 NC x 1.0 GR8
2	24	681248	Capscrew
3	2	622148	Keeper
4	1	681248	Upper Bar
5	1	681245	Lower Bar
6	4	6290	Lockwasher, 3/4 ID
7	2	—	Hook

Reference: S-3304, S-3305.

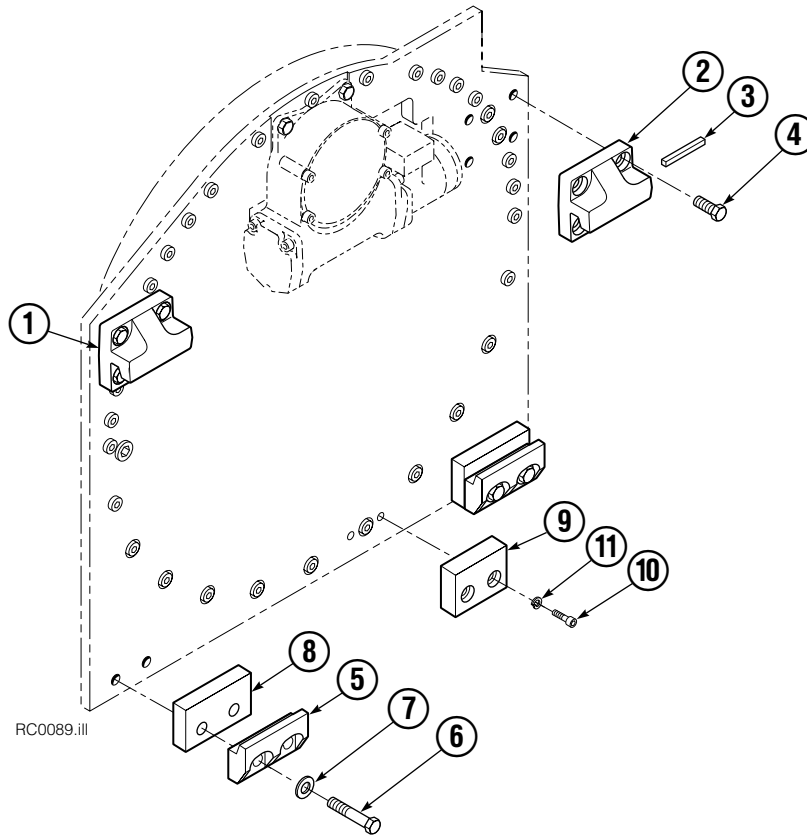
Adjustable Fork Assembly



120D			
REF	QTY	PART NO.	DESCRIPTION
		633709	Fork Assembly
1	1	646989	Fork
2	1	622897	Handle
3	1	8007	Rivet
4	1	633668	Spring
5	1	633670	Pin
6	1	633671	Hook
7	1	633669	Washer

Reference: S-2224.

Bolt-On Mounting Group



Class IV, 0°			
REF	QTY	PART NO.	DESCRIPTION
		684879	Mounting Group
1	1	684877	Upper Hook - LH
2	1	675061	Upper Hook - RH
3	1	670704	Stop Kit
4	8	679082	Capscrew, M20 x 35
5	2	679832	Lower Hook
6	4	682917	Capscrew, M20 x 80
7	4	670692	Washer, 3/4 in. ID
8	2	681019	Spacer
9	1	675081	Center Spacer
10	2	768810	Capscrew, M10 x 30
11	2	680030	Lockwasher, M10

Reference: SK-6198.

Do you have questions you need answered right now? Call your nearest Cascade Parts Department. Visit us online at www.cascorp.com

**Cascade Corporation
U.S. Headquarters**
2201 NE 201st
Fairview, OR 97024-9718
Tel: 800-CASCADE (227-2233)
FAX: 888-329-8207

Cascade Canada Inc.
5570 Timberlea Blvd.
Mississauga, Ontario
Canada L4W-4M6
Tel: 905-629-7777
FAX: 905-629-7785

Cascade GmbH
Niederwippekühl 1
58579 Schalksmühle
Germany
Tel: 02355-50900
FAX: 02355-509020

Cascade Finland
A. Petreliuksenkatu 3
01370 Vantaa
Finland
Tel: 09-8361925
FAX: 09-8361935

**Cascade N.V.
Benelux Sales and Service**
Damsluisweg 56
PO Box 3009
1300 El Almere
The Netherlands
Tel: 036-5492950
FAX: 036-5492974

Cascade (UK) Ltd.
Unit 4, 12 O'Clock Court
Attercliffe Road
Sheffield, S4 7WW
England
Tel: 0870-850-8756
FAX: 0870-850-8757

**Sales Scotland
Macade Systems Ltd.**
18 Melford Road
Righead Ind. Estate
Bellshill ML4 3LR
Scotland
Tel: 01698-845777
FAX: 01698-845888

Cascade (Africa) Pty. Ltd.
PO Box 625, Isando 1600
60A Steel Road
Sparton, Kempton Park
South Africa
Tel: 27-11-975-9240
FAX: 27-11-394-1147

Cascade Scandinavia AB
Hammarvägen 10
PO Box 124
S-56723 Vaggeryd
Sweden
Tel: 039-336950
FAX: 039-336959

**Cascade France
S.A.R.L. MHP**
1D Rue De Charaintru BP 18,
91360 Epinay-Sur-Orge
France
Tel: 01-6454-7500
FAX: 01-6454-7501

Cascade Hispania S.A.
Carrer 5, Sector C
Zona Franca Duanera
Poligono de la Zona Franca
08040 Barcelona, Spain
Tel: 93-264-07-30
FAX: 93-264-07-31

Cascade Italia S.R.L.
Via Dell'Artigianato 1
37050 Vago di Lavagno (VR)
Italy
Tel: 39-045-8989111
FAX: 39-045-8989160

**Sales Portugal FAG
Santos Lda**
Rua do Mercado
Lte 6, Loja 2-Tires 2785-630
S. Domingos De Rana
Portugal
Tel: 214-448-083
FAX: 214-458-098

**Sales Switzerland
Fahrzeugbedarf**
8810, Horgen
Switzerland
Tel: 01-7279797
FAX: 01-7279798

Sales Poland
Targowa 35/61
03-728 Warszawa
Tel: 022-619 00 49
FAX: 022-619 00 49
Mobile Tel: 0501-27 29 55

Sales Russia
EMCG Material Handling
Equipment
Moscow
Tel: 095-795-2400
FAX: 095-795-2475
Email: emcg@emcg.ru

Cascade Japan Ltd.
5-5-41,
Torikai Kami
Settsu, Osaka
Japan, 566
Tel: 81-726-53-3490
FAX: 81-726-53-3497

Cascade Korea
121B 9L Namdong Ind.
Complex, 691-8 Gojan-Dong
Namdong-Ku
Inchon, 405-310 Korea
Tel: 82-32-821-2051
FAX: 82-32-821-2055

Cascade Australia
1445 Ipswich Road
Rocklea, QLD 4107
Australia
Tel: 1-800-227-223
FAX: 617-3373-7333

Cascade New Zealand
15 Ra Ora Drive
East Tamaki, Auckland
New Zealand
Tel: 64-9-273-9136
FAX: 64-9-273-9137

Cascade-Xiamen
No. 668 Yangguang Rd.
Xinyang Industrial Zone
Haicang, Xiamen City
Fujian Province
P.R. China 361026
Tel: 86-592-651-2500
FAX: 86-592-651-2571

**Sunstream Industries
Pte Ltd.**
No. 3 Tuas Link 1
2263
Singapore
Tel: 65-6863-3488
FAX: 65-6863-1368

**Central LTDA
(Cascade Brazil)**
Av. General Valdomiro
de Lima 43
Jabaquara - Sao Paulo - S.P.
Brasil CEP 04344-070
Tel: 55-11-5013-2800
Fax: 55-11-5013-2809

