



# Parts Manual

---

Model 35D Carton Clamp

Serial Number 35D-CCS-171

---

**cascade**<sup>®</sup>  
**corporation**

**For Technical Assistance call:** 800-227-2233, Fax: 888-329-8207

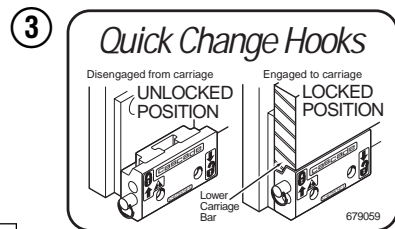
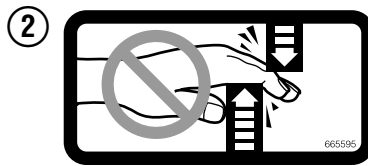
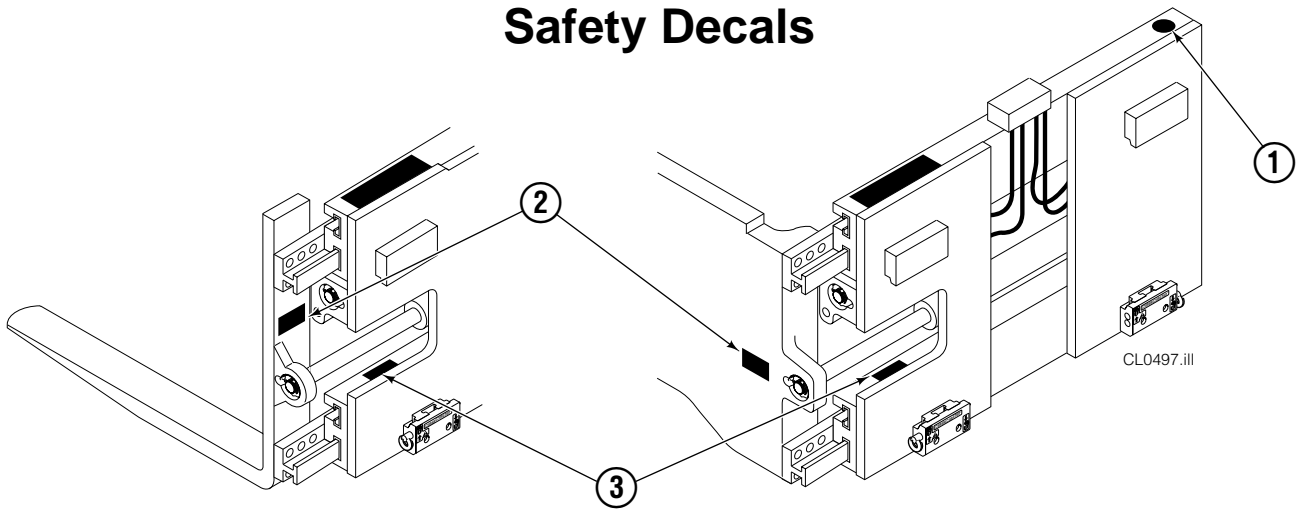
**To Order Parts call:** 888-227-2233, Fax: 888-329-0234

**OR**

**Write:** Cascade Corporation, P.O. Box 20187, Portland, OR 97220

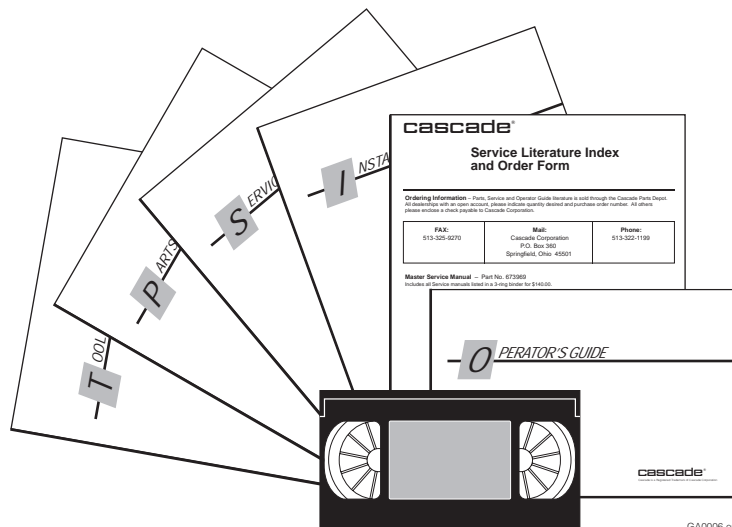
**Internet:** [www.cascorp.com](http://www.cascorp.com)

# Safety Decals



REF	QTY	PART NO.	DESCRIPTION
1	1	679150	No Step Decal
2	2	665595	No Hand Hold Decal
3	1	679059	Quick Change Hook Decal

# Publications



PART NO.	DESCRIPTION
669224	Service Manual
672944	Operators Guide
668987	Installation Instructions
680664	Servicing Cascade Cylinders-VHS
679929	Tool Catalog
673964	Literature Index Order Form

# Base Unit Group



CL0962.iii

35D							
REF	QTY	PART NO.	DESCRIPTION	REF	QTY	PART NO.	DESCRIPTION
1	2	210436	Hose, 24.75 in.	15	6	773842	Nut, M12
2	2	210449	Hose, 18.25 in.	16	2	768414	Capscrew, M12x65
3	1	675326	Shim Kit ■	17	4	208858	Bearing
4	2	209021	Washer, M10	18	4	667663	Bearing
5	1	601377	Fitting, 8-8	19	4	208857	Bearing
6	2	684594	Capscrew, M10x20	20	1	220996	Mounting Plate - RH
7	2	766646	Capscrew, M10x20	21	1	220997	Mounting Plate - LH
8	2	671573	Cylinder ▲	22	1	221417	Frame - Lower
9	2	768953	Roll Pin - Inner	23	1	669957	Plate
10	2	769009	Roll Pin - Outer	24	1	671545	Bumper - Lower
11	1	221280	Frame - Upper	25	4	202348	Washer, M12
12	8	667910	Washer	26	4	768556	Capscrew, M12x45
13	8	684659	Capscrew, M12x75	27	2	602580	Fitting, 8
14	1	672331	Bumper	28	6	611288	Fitting, 6-8

■ Includes two .015 in. Shims, and eight .020 in. Shims.

▲ See Cylinder page for parts breakdown.

Reference: Base Unit 221353, SK-6390 R-3.

# Cylinder



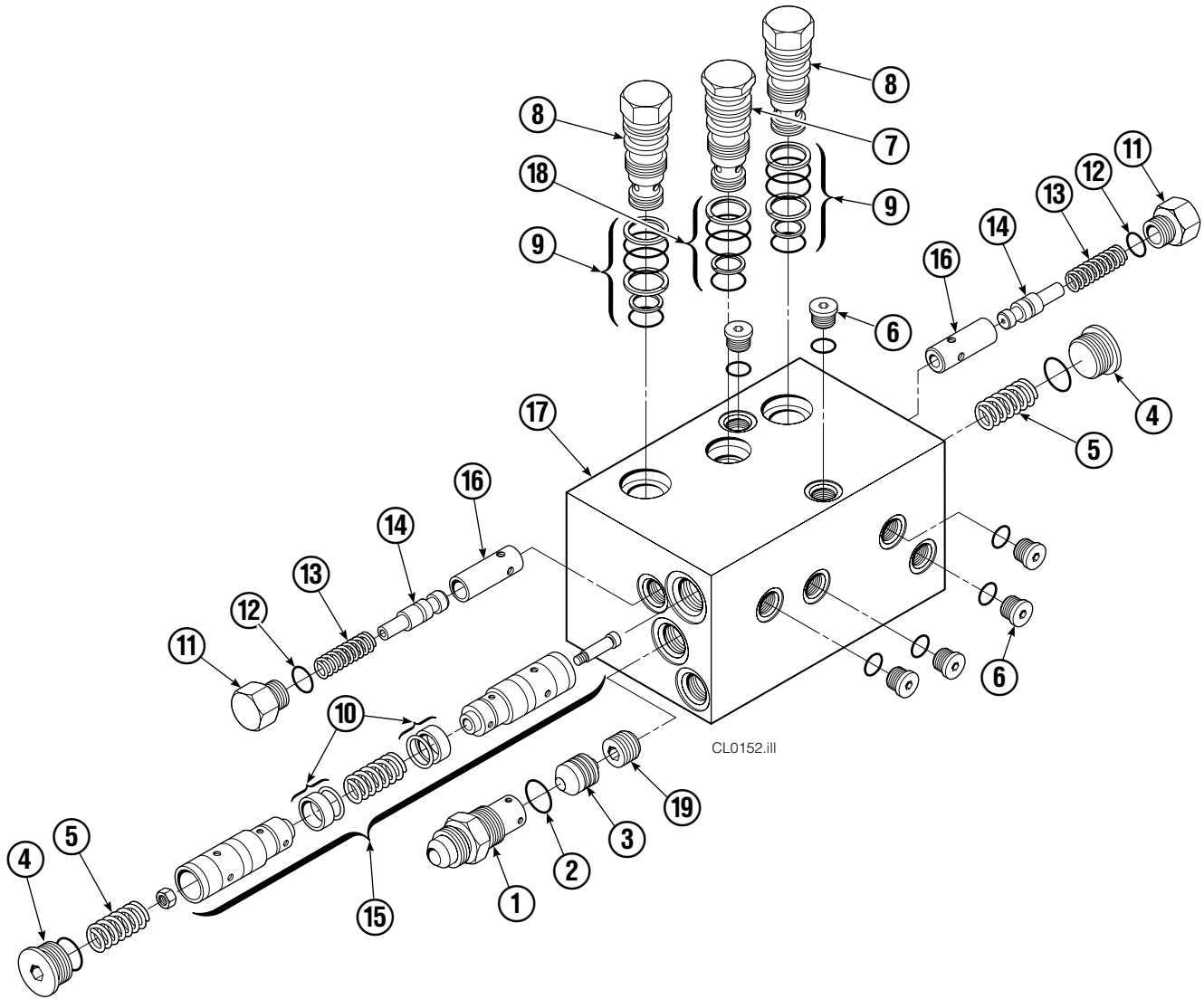
35D			
REF	QTY	PART NO.	DESCRIPTION
		671573	Cylinder Assembly
1	2	6510	Cotter Pin ■
2	2	667624	Nut Retainer ■
3	2	667625	Nut ■
4	1	671574	Shell
5	1	602580	Fitting
6	1	558400	Piston
7	1	2716	O-Ring ▲
8	1	662454	Seal ▲
9	1	667626	Washer
10	1	2787	O-Ring ▲
11	1	615130	Back-Up Ring ▲
12	1	667917	Retainer
13	1	662448	Seal ▲
14	1	638243	Nylon Ring ▲
15	1	636853	Wiper ▲
16	1	668031	Nut
17	1	671571	Rod
18	1	671049	Seal Loader, Piston ▲
19	1	671052	Seal Loader, Retainer ▲
		667995	Service Kit

▲ Included in Service Kit 667995.

■ Included in Nut Service Kit 668926.

Reference: S-7662.

# Check Valve



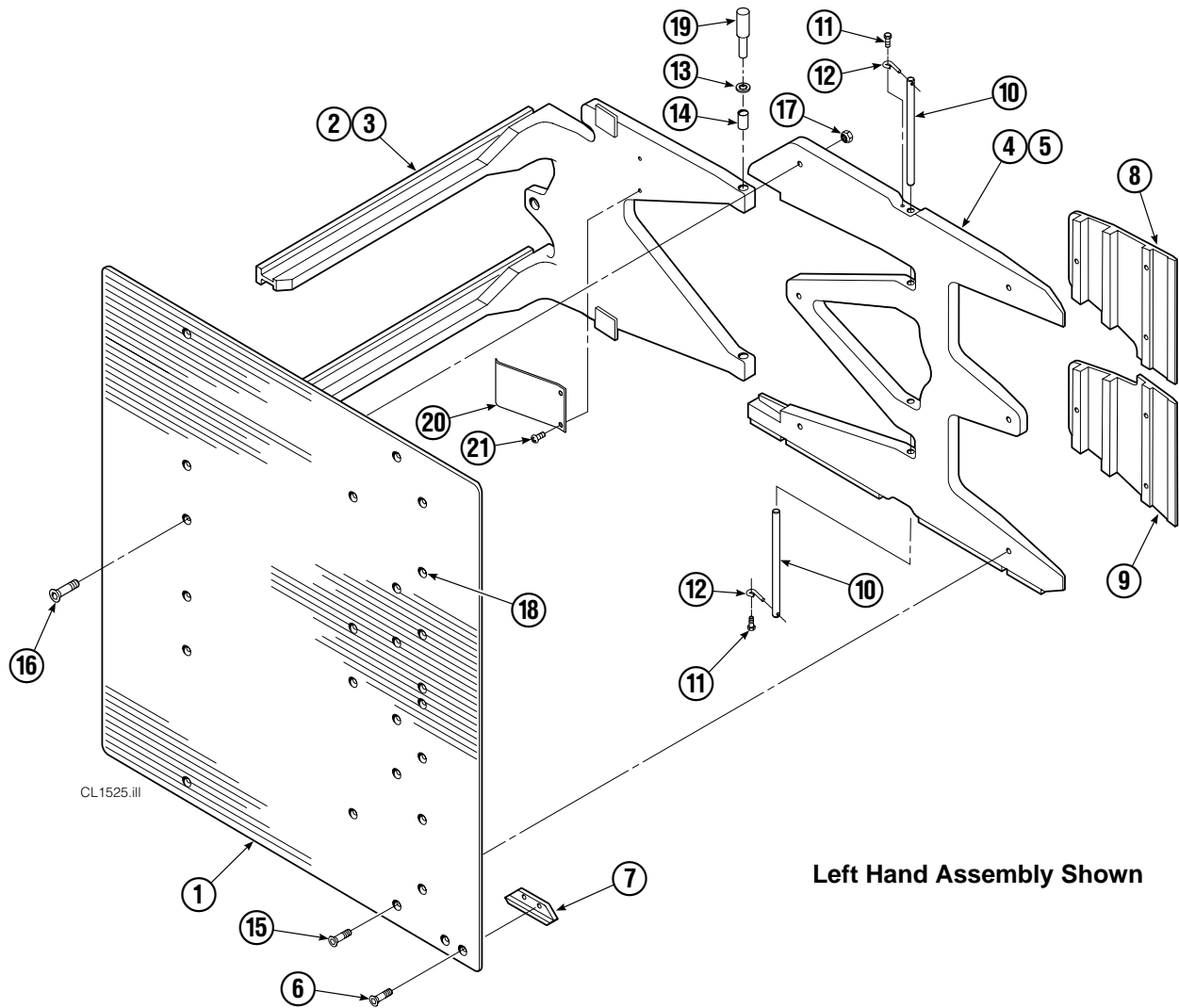
REF	QTY	PART NO.	DESCRIPTION	REF	QTY	PART NO.	DESCRIPTION
		669762	Check Valve – Flow Divider	11	2	667494	Fitting
1	1	667490	Special Fitting	12	2	2840	● O-Ring
2	1	2841	● O-Ring	13	2	673098	Spring
3	1	667471	Spool	14	2	667492	Poppet
4	2	609453	Fitting, 10	15	1	673089	Spool Assembly
5	2	667487	Spring	16	2	667491	Sleeve
6	6	604510	Fitting, 6	17	1	669763	Valve Body
7	1	678270	Check Valve – VPO	18	1	661347	● Service Kit
8	2	659058	Check Valve – PO	19	1	676343	Regeneration Elimination Plug ■
9	2	667516	● Service Kit			667513	Service Kit
10	1	679846	Low Flow Spool Kit				

● Included in Service Kit 667513.

■ For eliminating regeneration circuit only. See Technical Bulletin 121.

Reference: SK-5302.

# Arms and Pads



Left Hand Assembly Shown

35D			
REF	QTY	PART NO.	DESCRIPTION
1	2	3016175	Contact Pad
2	1	221384	Arm - LH
3	1	221402	Arm - RH
4	1	3016180	Stabilizer - LH
5	1	3016179	Stabilizer - RH
6	4	766496	Capscrew
7	2	3014379	Wear Tile
8	2	210180	Filler Block - LH Upper/RH Lower
9	2	210179	Filler Block - LH Lower/RH Upper

## Common Parts

REF	QTY	PART NO.	DESCRIPTION	REF	QTY	PART NO.	DESCRIPTION
10	4	210161	Pin	16	12	768706	Capscrew, M12 x 35
11	4	787372	Capscrew, M8 x 20	17	12	773842	Nut, M12
12	4	682999	Eye Pin	18	▲	673841	Contact Pad Repair Kit
13	10	675620	Washer, M10	19	1	675626	Bushing Driver Tool
14	8	200590	Bushing	20	2	210154	Spring
15	12	766646	Capscrew, M10 x 20	21	4	203405	Capscrew, M10 x 16

Reference: 3016177, 3016178, 210495.

▲ Repairs one hole.

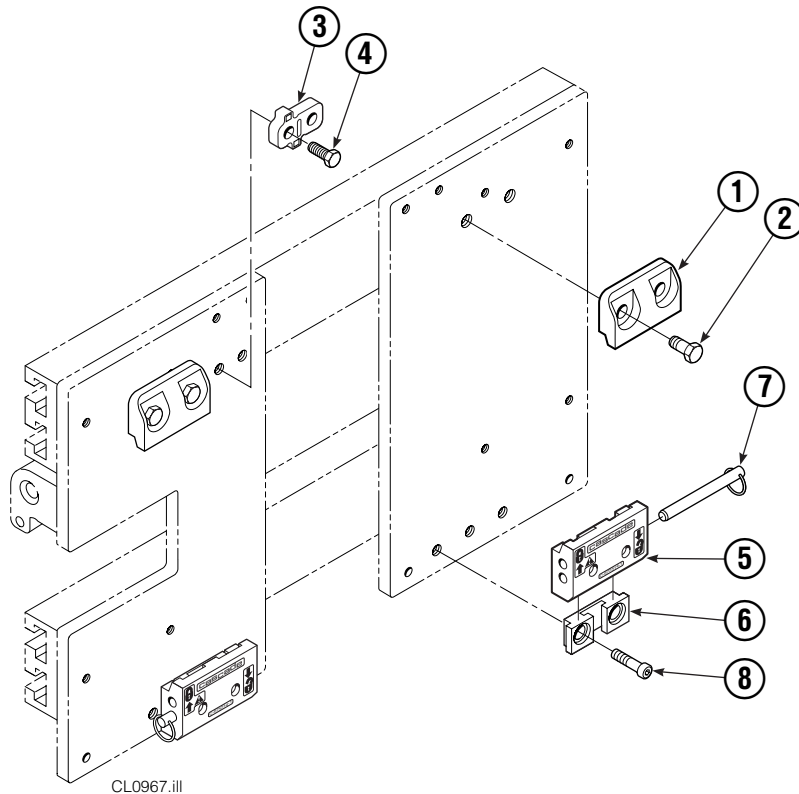
# Backrest Group



35D			
REF	QTY	PART NO.	DESCRIPTION
		221577	Backrest Group
1	1	669897	Backrest
2	8	768810	Capscrew, M10x30
3	8	667910	Washer, M10
4	8	674356	Tube End

Reference: SK-6390.

# Quick-Change Mounting Group



REF	QTY	ITA II	DESCRIPTION
		PART NO.	
		211162	Upper Mounting Group ▲
		211174	Lower Mounting Group ●
1	2	210491	Upper Hook
2	4	768577	Capscrew, M20 x 35
3	1	212999	Center Key
4	2	211129	Capscrew, M16 x 35
5	2	675514	Lower Hook
6	2	675515	Guide
7	2	678832	Pin
8	4	211180	Capscrew, M16 x 30

▲ Includes items 1–4.

● Includes items 5–8.

Reference: SK-6390.



**Do you have questions you need answered right now?** Call your nearest Cascade Parts Department. Visit us online at [www.cascorp.com](http://www.cascorp.com)

**Cascade Corporation**

2501 Sheridan Avenue  
Springfield, OH 45505  
Tel: 888-CASCADE (227-2233)  
FAX: 888-329-0234

**Cascade Canada Inc.**

5570 Timberlea Blvd.  
Mississauga, Ontario  
Canada L4W-4M6  
Tel: 905-629-7777  
FAX: 905-629-7785

**Cascade GmbH**

Dahlener Strasse 570  
41239 Mönchengladbach  
Germany  
Tel: 02166-68230  
FAX: 02166-682323

**Cascade Finland**

A. Petreliuksenkatu 3  
01370 Vantaa  
Finland  
Tel: 09-8361925  
FAX: 09-8361935

**Cascade N.V.  
Benelux Sales and Service**

Damsluisweg 56  
PO Box 3009  
1300 El Almere  
The Netherlands  
Tel: 036-5492950  
FAX: 036-5492974

**Cascade (UK) Ltd.**

Unit 5, Eden Close  
Hellaby Lane Ind. Estate  
Heellaby,  
Rotherham S66 8RW  
England  
Tel: 01709-704500  
FAX: 01709-704501

**Sales Scotland  
Macade Systems Ltd.**

18 Melford Road  
Righead Ind. Estate  
Bellshill ML4 3LR  
Scotland  
Tel: 01698-845777  
FAX: 01698-845888

**Cascade (Africa) Pty. Ltd.**

PO Box 625, Isando 1600  
60A Steel Road  
Sparton, Kempton Park  
South Africa  
Tel: 975-9240  
FAX: 394-1147

**Cascade Scandinavia AB**

Hammarvägen 10  
PO Box 124  
S-56723 Vaggeryd  
Sweden  
Tel: 039-336950  
FAX: 039-336959

**Cascade France  
S.A.R.L. MHP**

1D Rue De Charaintru  
BP 18,  
91360 Epinay-Sur-Orge  
France  
Tel: 01-6454-7500  
FAX: 01-6454-7501

**Cascade Hispania S.A.**

Carrer 5, Sector C  
Zona Franca Duanera  
Poligono de la Zona Franca  
08040 Barcelona  
Spain  
Tel: 93-264-07-30  
FAX: 93-264-07-31

**Sales Italy**

Via Ponzano 11  
50047 Prato  
Italy  
Tel: 0574-571726  
FAX: 0574-571726  
Mobile Phone: 0337-673029

**Sales Portugal FAG  
Santos Lda**

Rua do Mercado  
Lte 6, Loja 2-Tires  
2785-630  
S. Domingos De Rana  
Portugal  
Tel: 214-448-083  
FAX: 214-458-098

**Sales Switzerland  
Fahrzeugbedarf**

8810, Horgen  
Switzerland  
Tel: 01-7279797  
FAX: 01-7279798

**Sales Poland**

Targowa 35/61  
03-728 Warszawa  
Tel: 022-619 00 49  
FAX: 022-619 00 49  
Mobile Phone: 0501-27 29 55

**Sales Russia**

EMCG Material Handling  
Equipment  
Moscow  
Tel: 095-795-2400  
FAX: 095-795-2475  
Email: [emcg@dol.ru](mailto:emcg@dol.ru)

**Cascade Japan Ltd.**

5-5-41,  
Torikai Kami  
Settsu, Osaka  
Japan, 566  
Tel: 81-726-53-3490  
FAX: 81-726-53-3497

**Cascade Korea**

108B Namdong Ind. Complex  
658-3 Gojan-Dong  
Namdong-Gu  
Inchon, 405-310 Korea  
Tel: 82-32-821-2051  
FAX: 82-32-821-2055

**Cascade Australia**

1445 Ipswich Road  
Rocklea, QLD 4106  
Australia  
Tel: 1-800227-223  
FAX: (07) 3373-7333

**Cascade New Zealand**

15 Ra Ora Drive  
East Tamaki, Auckland  
New Zealand  
Tel: 9-273-9136  
FAX: 9-273-9137

**Cascade-Xiamen**

No. 668 Yangguang Rd.  
Xinyang Industrial Zone  
Haicang, Xiamen City  
Fujian Province  
P.R. China 361026  
Tel: 86-592-651-2500  
FAX: 86-592-651-2571

**Cascade (Singapore)  
Trading Co.**

Four Seasons Park  
Autumn Block - Apt. 1802  
12 Cuscaden Walk  
Singapore  
Tel: 65-834-1935  
FAX: 65-834-1936

