



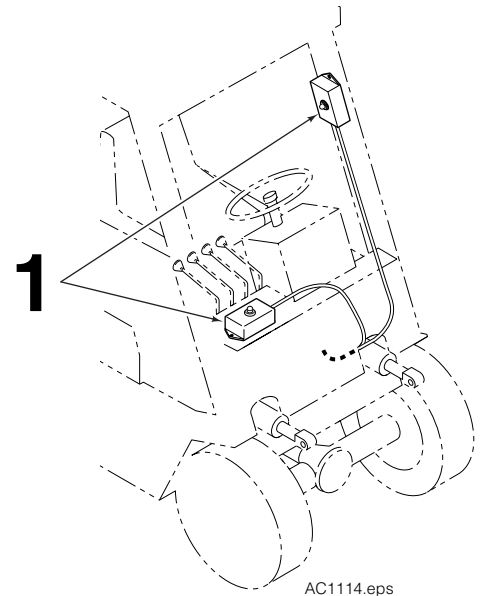
# Installation Instructions

## Light Indicator Kits for Tilt Control

This manual provides instructions for Cascade Light Indicator Kits for Tilt Control. The light indicator turns on when the mast or load is vertical. The kits can be retrofitted to tilt controls already installed. Kits listed below:

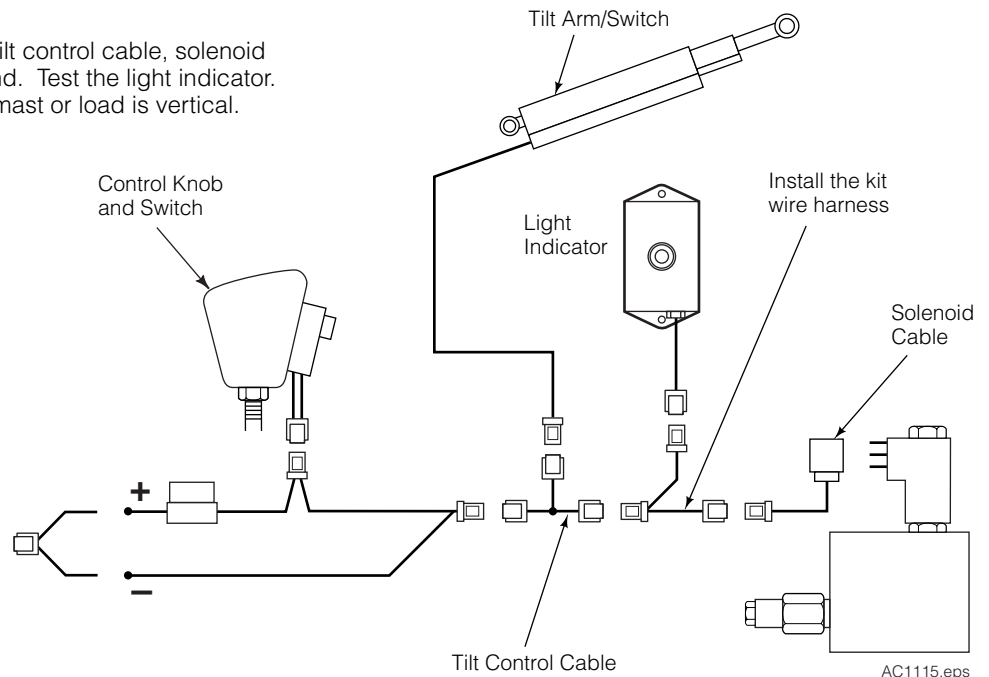
Light Indicator Kits for One-Way Tilt Control	Light Indicator Kits for Two-Way Tilt Control
12V 6050509	12V 6050400
24V 6050510	24V 6050491
36V 6050511	36V 6050492
48V 6050512	48V 6050493

- 1 Install the light indicator on the truck overhead guard or dashboard for easy driver peripheral viewing. Route the cable end to the other tilt control wiring.



### Light Indicator Kit for One-Way Tilt Control

Install the kit wire harness to the tilt control cable, solenoid cable and light indicator cable end. Test the light indicator. The light should be on when the mast or load is vertical.



Part No. 6050402

**cascade**<sup>®</sup>  
corporation

#### For Technical Support . . .

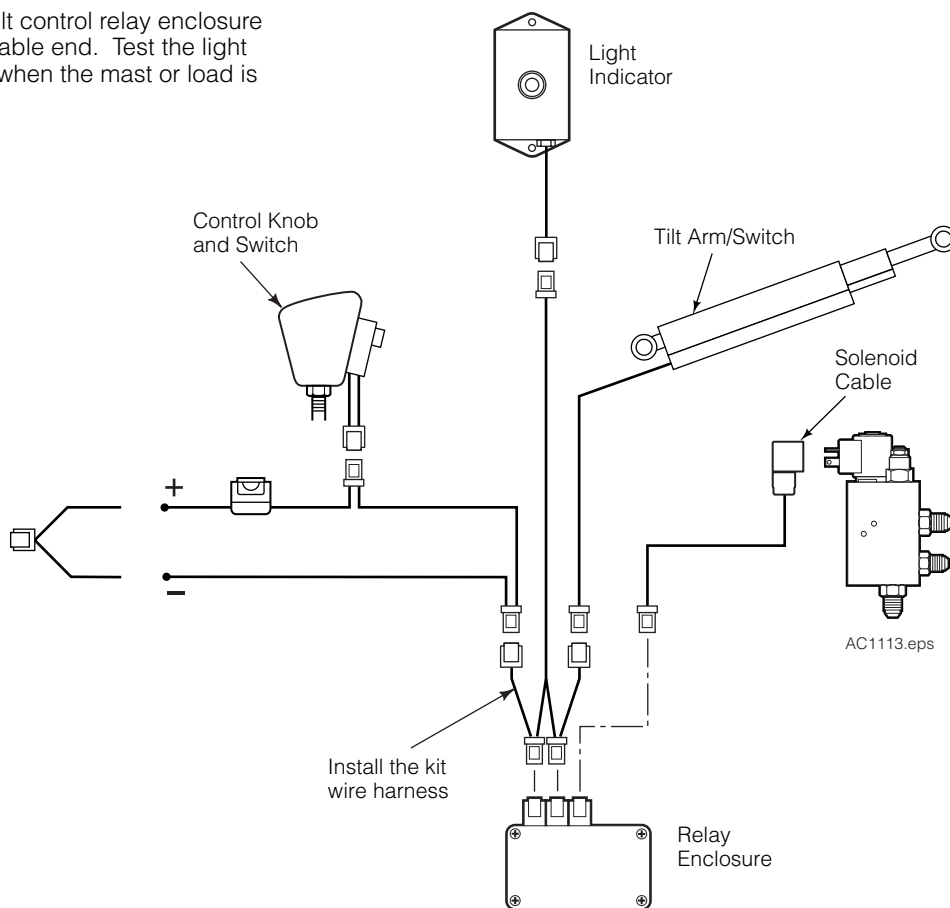
Call: 1-800-227-2233 Fax: 1-888-329-8207  
Internet: [www.cascorp.com](http://www.cascorp.com)  
Write: Cascade Corporation, PO Box 20187, Portland, OR 97294

#### To Order Parts . . .

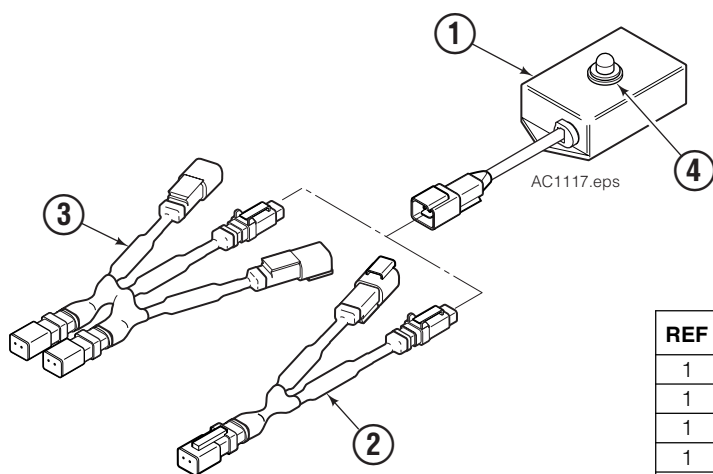
Call: 1-888-227-2233 Fax: 1-888-329-0234  
Internet: [www.cascorp.com](http://www.cascorp.com)  
Write: Cascade Corporation, 2501 Sheridan Ave., Springfield, OH 45505

## Light Indicator Kit for Two-Way Tilt Control

Install the kit wire harness to the tilt control relay enclosure terminals and the light indicator cable end. Test the light indicator. The light should be on when the mast or load is vertical.



## PARTS



REF	QTY	PART NO.	DESCRIPTION
1	1	6050487	Light Box-12V
1	1	6050488	Light Box-24V
1	1	6050489	Light Box-36V
1	1	6050490	Light Box-48V
2	1	6050499	Wire Harness, One-Way Tilt Control
3	1	670580	Wire Harness, Two-Way Tilt Control
4	1	6004133	Light

