



Parts Manual

Model _____ Fork Positioner

Serial Number _____ 100F-FPS-B161 R1

cascade[®]
corporation

For Technical Assistance call: 800-227-2233, Fax: 888-329-8207

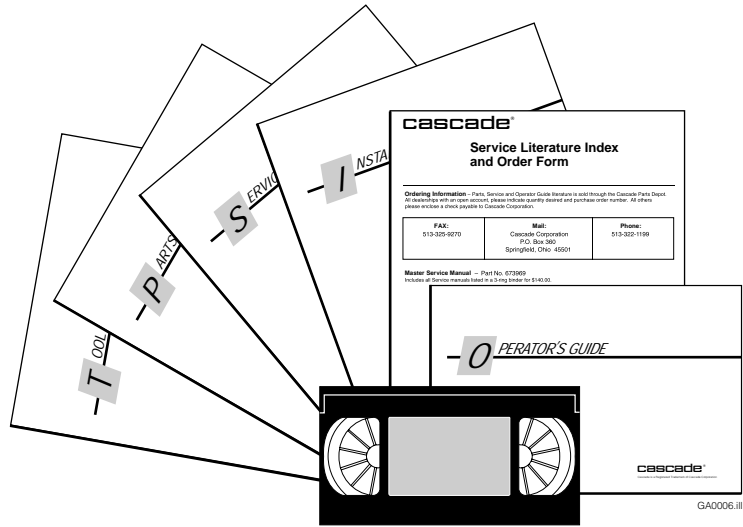
To Order Parts call: 888-227-2233, Fax: 888-329-0234

OR

Write: Cascade Corporation, P.O. Box 20187, Portland, OR 97220

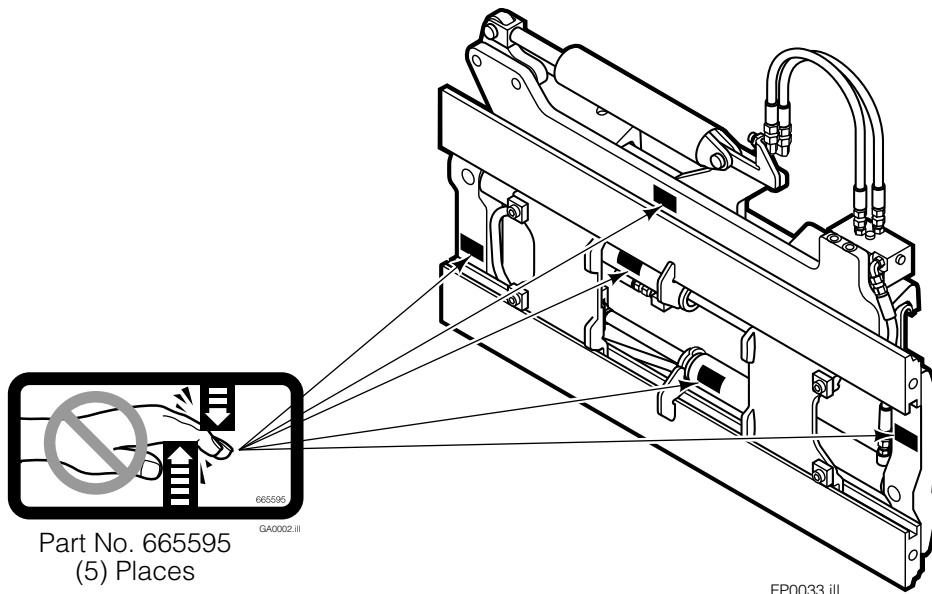
Internet: www.cascorp.com

Publications



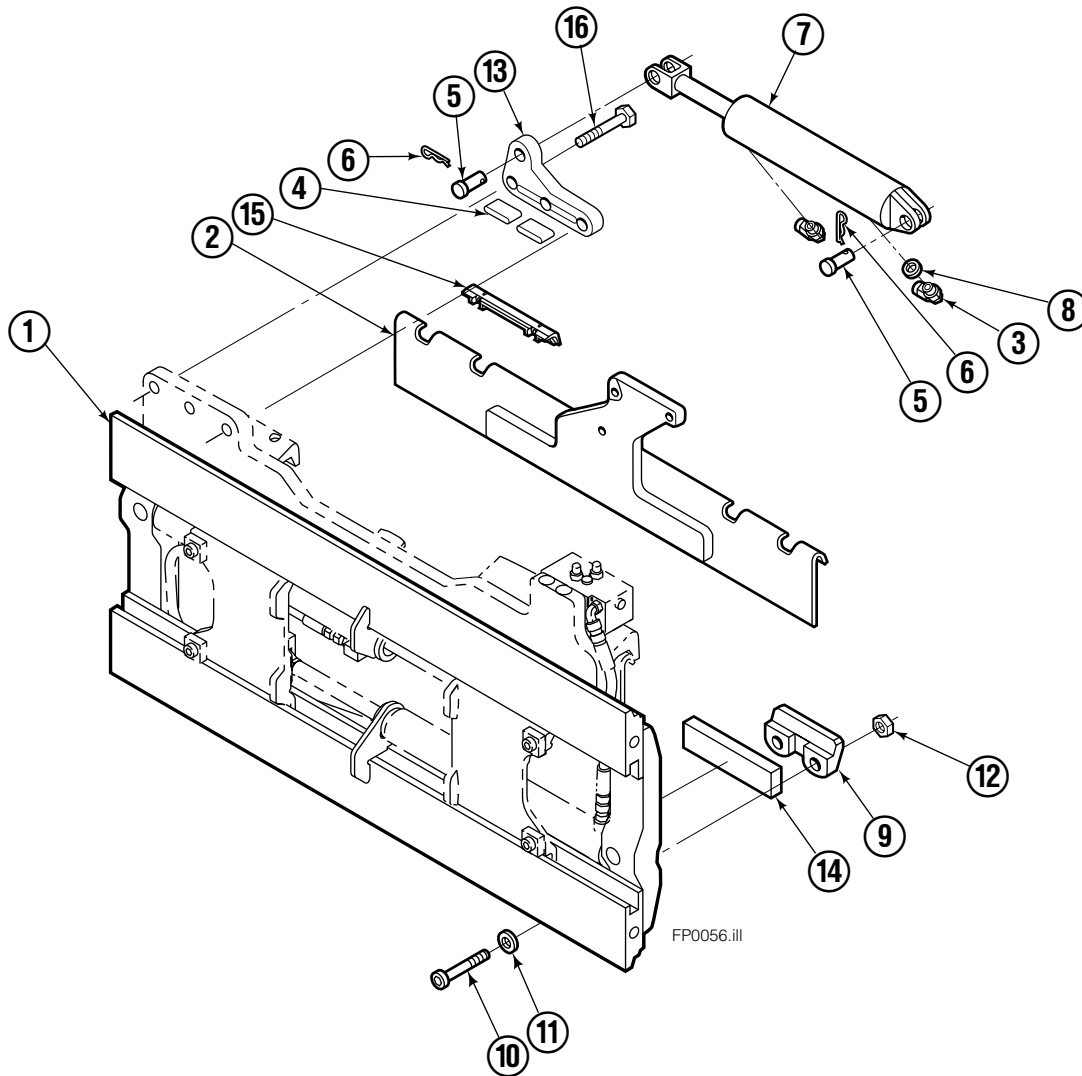
100F	
PART NO.	DESCRIPTION
	Parts Manual
208743	Service Manual
688261	Operators Guide
207363	Installation Instructions
680664	Servicing Cascade Cylinders-VHS
679929	Tool Catalog
673964	Literature Index Order Form

Safety Decals



Part No. 665595
(5) Places

Mounting Group Sideshifting



100F

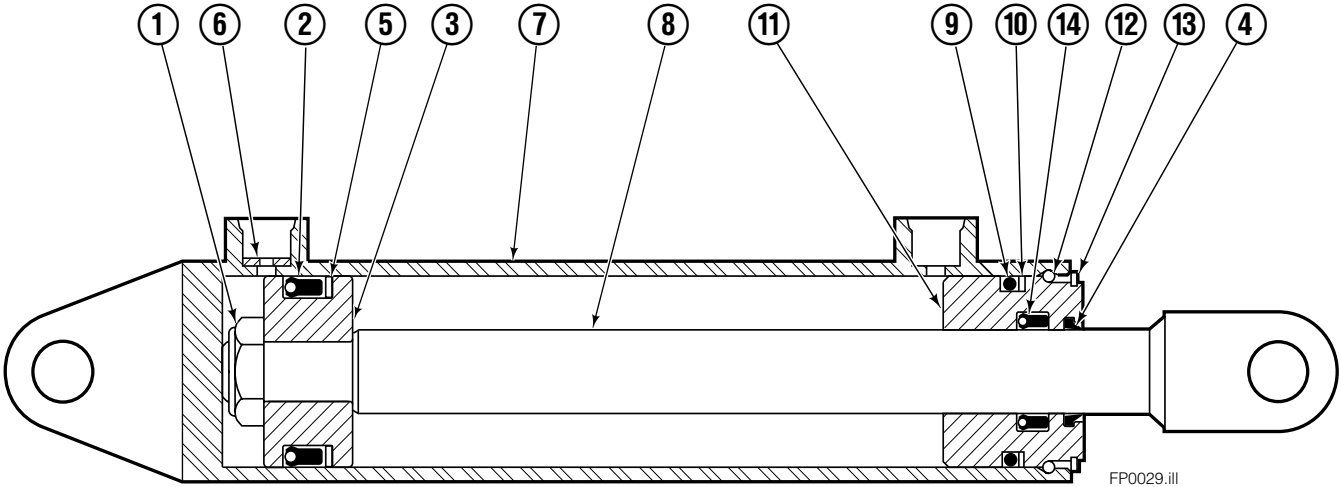
REF	QTY	PART NO.	DESCRIPTION	REF	QTY	PART NO.	DESCRIPTION
	●	209452	Sideshifting Mounting-61" ■	9	2	204186	Lower Hook
1	1	209386	Frame-61" ■	10	4	766154	Capscrew, M16x2,0x40-8.8
2	1	209395	Anchor Bracket-61" ■	11	4	667225	Washer
3	2	601676	Fitting, 6-6	12	4	678990	Nut
4	2	209542	Key, M10x8x63	13	1	209309	Lug
5	2	678528	Clevis Pin	14	2	208350	Lower Bearing
6	2	672726	Hairpin Cotter	15	2	672018	Upper Bearing
7	1	676649	Cylinder Assembly ◆	16	3	752907	Capscrew, M20x50 Lg-8.8
8	1	675550	Washer (orifice .085)				

■ Carriage width.

● Includes items 2 through 16.

◆ See Cylinder page for parts breakdown.

Sideshift Cylinder

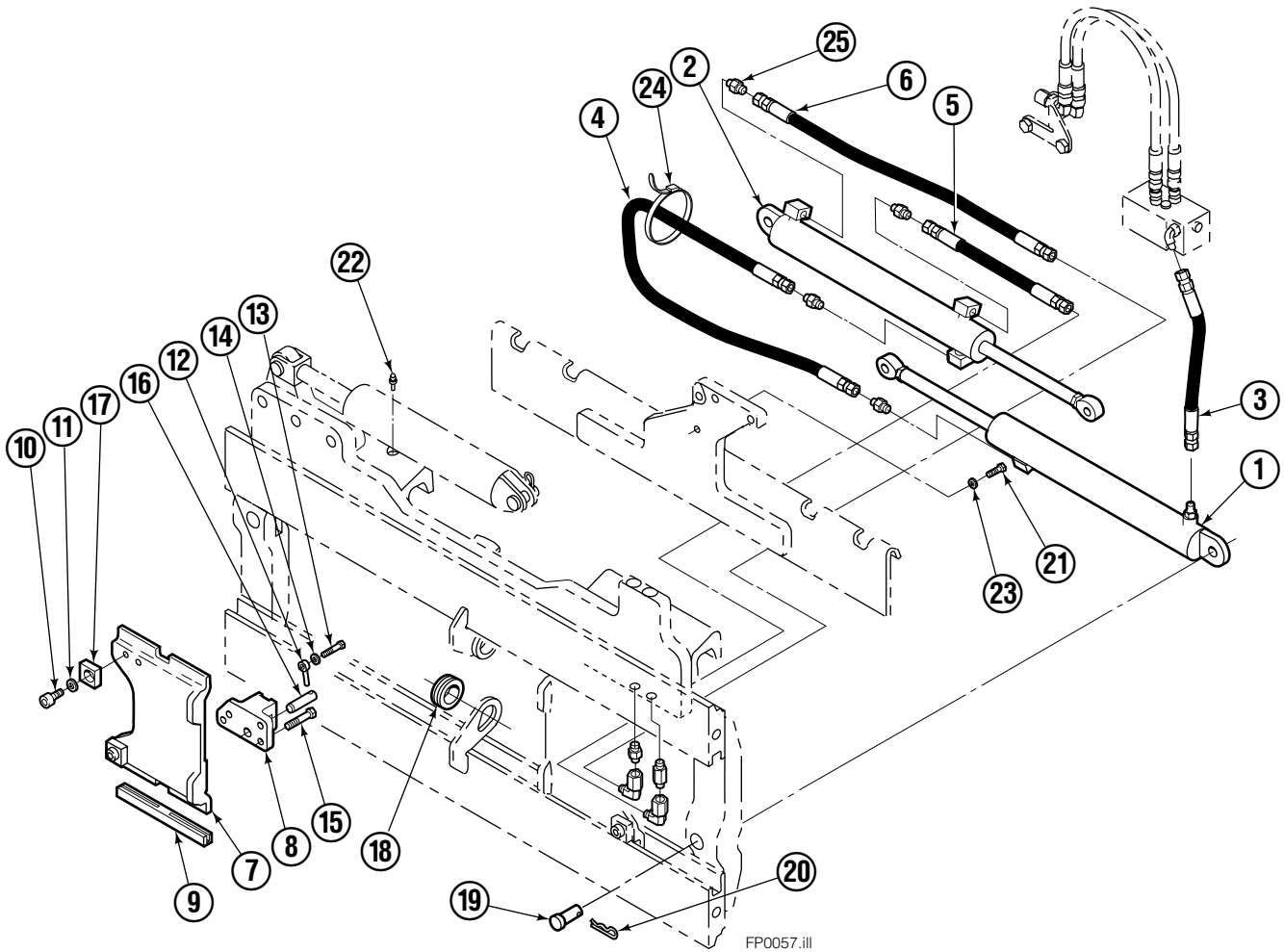


FP0029.ill

REF	QTY	PART NO.	DESCRIPTION
		676649	Cylinder Assembly
1	1	553717	Nut
2	1	662456	■ Seal
3	1	553527	Piston
4	1	636852	■ Wiper
5	1	649817	■ Back-up Ring
6	1	675550	Washer (orifice .085)
7	1	676776	Shell
8	1	553530	Rod
9	1	2789	■ O-Ring
10	1	615132	■ Back-up Ring
11	1	553528	Retainer
12	1	553688	Retaining Ring
13	1	7211	Snap Ring
14	1	662447	■ Seal
		553866	Service Kit

■ Included in Service Kit 553866.

Hydraulic/Fork Group



Reference:
BC-106
SK-6042

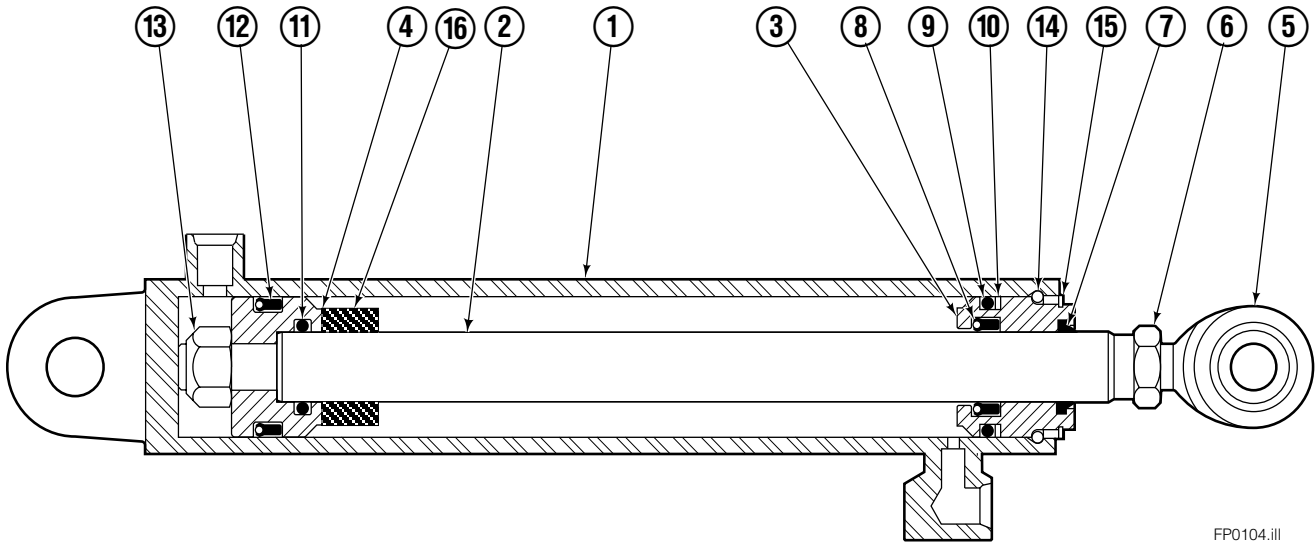
100F

REF	QTY	PART NO.	DESCRIPTION	REF	QTY	PART NO.	DESCRIPTION
		209466	Hydraulic Group ●	13	2	763169	Cap screw, M6 x 20
		209502	Fork Group □	14	2	680217	Lockwasher, M6
1	1	209488	Cylinder Assembly L. H. ◆	15	8	681370	Cap screw, M10 x 20
2	1	209495	Cylinder Assembly R. H. ▼	16	2	209308	Pin
3	1	209516	Hose, 24.00"	17	4	209306	Block
4	1	209523	Hose, 57.28"	18	2	209305	Grommet
5	1	209528	Hose, 15.67"	19	2	661675	Clevis Pin
6	1	209531	Hose, 37.32"	20	2	672726	Hairpin Cotter
7	2	209391	Fork Carrier	21	1	763022	Cap screw, M10 x 35
8	2	209280	Lug	22	2	7403	Grease Fitting
9	4	209303	Bearing	23	1	681238	Lockwasher, M10
10	4	768838	Cap screw, M16 x 30	24	1	200008	Cable Tie
11	4	678992	Lockwasher, M16	25	5	604511	Fitting, 6-6
12	2	206923	Eyebolt				

◆ See L.H. Cylinder page for parts breakdown.
▼ See R.H. Cylinder page for parts breakdown. □

● Includes items 1 through 6.
□ Includes items 7 through 25.

Left Hand Cylinder



FP0104.iii

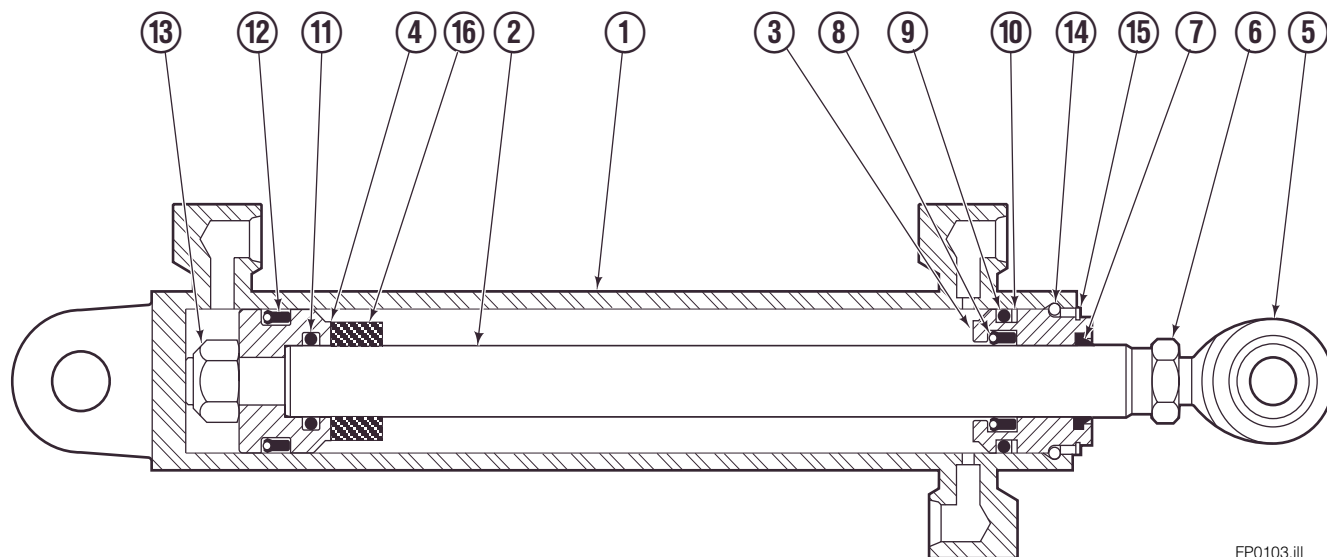
100F

REF	QTY	PART NO.	DESCRIPTION
		209488	Cylinder Assembly
1	1	564488	Shell
2	1	564495	Rod
3	1	564451	Retainer
4	1	562056	Piston
5	1	564452	Rod End
6	1	5720	Nut
7	1	564408	■ Rod Wiper
8	1	564406	■ Rod Seal
9	1	562127	■ O-Ring
10	1	563388	■ Back-up Ring
11	1	563278	■ O-Ring
12	1	564141	■ Piston Seal
13	1	678019	Piston Nut
14	1	562942	Retaining Ring
15	1	562951	Snap Ring
16	1	--	Spacer
		564453	Service Kit

● Included in Service Kit 564453.

Reference: S-6147, S-6142.

Right Hand Cylinder



FP0103.iii

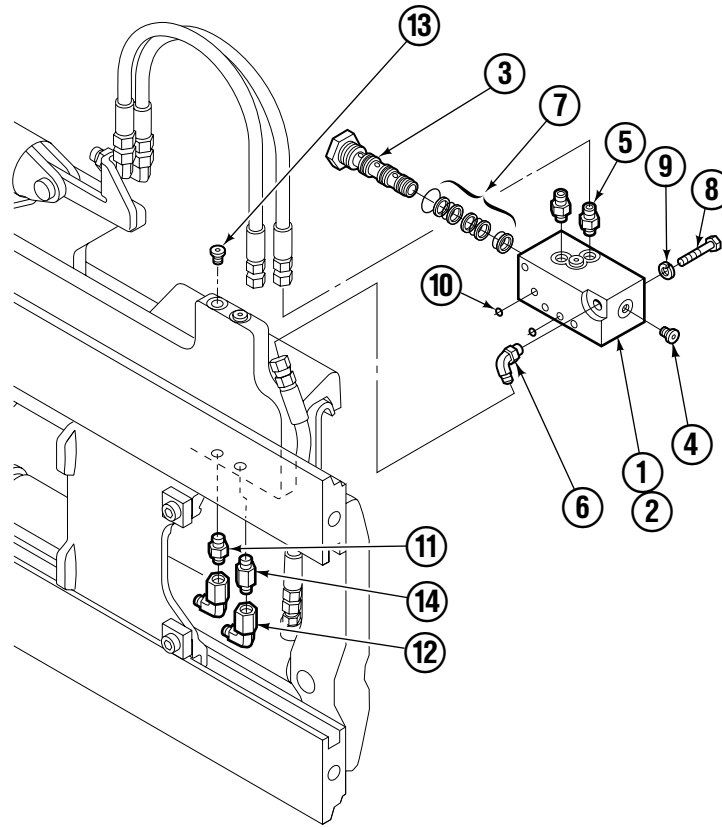
100F

REF	QTY	PART NO.	DESCRIPTION
		209495	Cylinder Assembly
1	1	564502	Shell
2	1	564495	Rod
3	1	564451	Retainer
4	1	562056	Piston
5	1	564452	Rod End
6	1	5720	Nut
7	1	564408	■ Rod Wiper
8	1	564406	■ Rod Seal
9	1	562127	■ O-Ring
10	1	563388	■ Back-up Ring
11	1	563278	■ O-Ring
12	1	564141	■ Piston Seal
13	1	678019	Piston Nut
14	1	562942	Retaining Ring
15	1	562951	Snap Ring
16	1	--	Spacer
		564453	Service Kit

■ Included in Service Kit 564453.

Reference: S-6148, S-6142.

Flow Divider Group

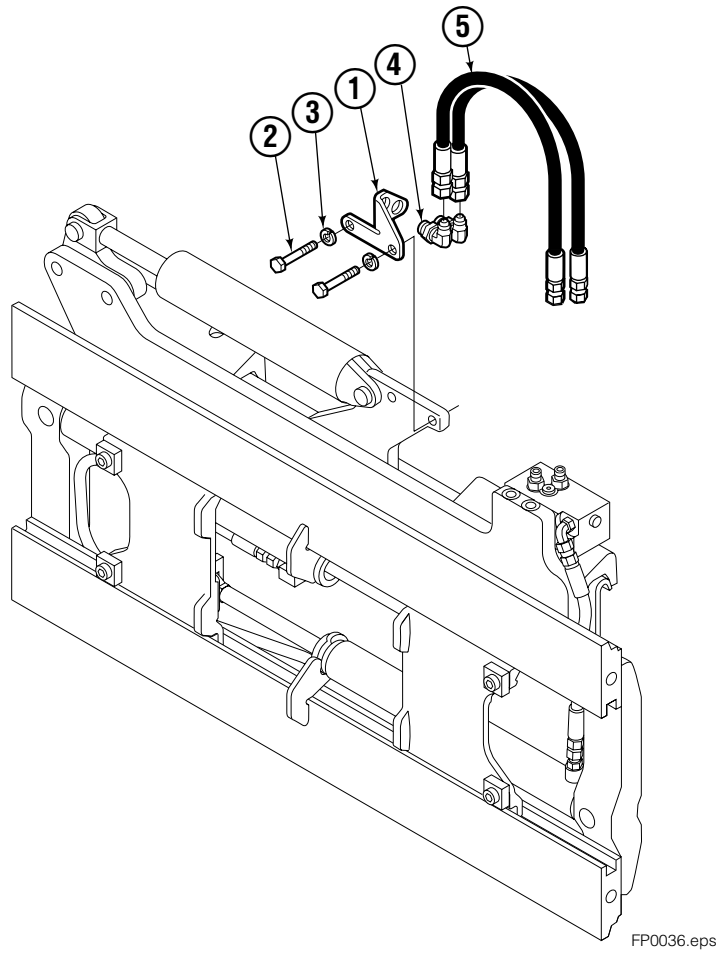


FP0035.iii

100F			
REF	QTY	PART NO.	DESCRIPTION
		209504	Flow Divider Group
1	1	209310	Valve ■
2	1	209311	Valve Body
3	1	201527	Cartridge-Combiner
4	2	663694	Fitting, 3
5	2	604511	Fitting, 6-6
6	1	601676	Fitting, 6-6
7	1	679992	Service Kit
8	3	685105	Capscrew
9	3	678993	Lockwasher
10	2	207300	O-Ring
11	1	604511	Fitting, 6-6
12	2	2680	Fitting, 6-6
13	2	604510	Fitting, 6
14	1	605743	Fitting, 6-6

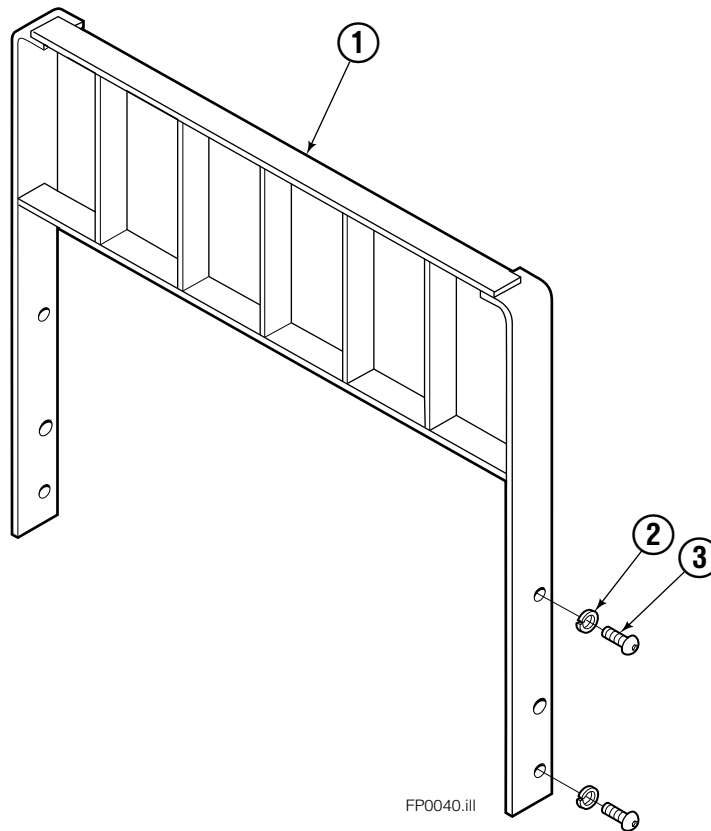
■ Includes items 1 through 7.

Standard Installation Group



100F			
REF	QTY	PART NO.	DESCRIPTION
		209506	Installation Group
1	1	207314	Bracket
2	2	762899	Capscrew, M10X20-8.8
3	2	681238	Lockwasher
4	2	2453	Fitting, 8-8
5	2	207425	Hose

Backrest



100F			
REF	QTY	PART NO.	DESCRIPTION
1	1	209478	Backrest – 61"x48" (1550x1219mm) ■
2	4	684586	Lockwasher
3	4	200173	Capscrew

■ Width by Height.
Reference: S-4098.

Do you have questions you need answered right now? Call your nearest Cascade Parts Department. Visit us online at www.cascorp.com

**Cascade Corporation
U.S. Headquarters**
2201 NE 201st
Fairview, OR 97024-9718
Tel: 800-CASCADE (227-2233)
FAX: 888-329-8207

Cascade Canada Inc.
5570 Timberlea Blvd.
Mississauga, Ontario
Canada L4W-4M6
Tel: 905-629-7777
FAX: 905-629-7785

Cascade GmbH
Niederwippekühl 1
58579 Schalksmühle
Germany
Tel: 02355-50900
FAX: 02355-509020

Cascade Finland
A. Petreliuksenkatu 3
01370 Vantaa
Finland
Tel: 09-8361925
FAX: 09-8361935

**Cascade Italia S.R.L.
European Headquarters**
Via Dell'Artigianato 1
37030 Vago di Lavagno (VR)
Italy
Tel: 39-045-8989111
FAX: 39-045-8989160

**Cascade N.V.
Benelux Sales**
Damsluisweg 56
PO Box 3009
1300 El Almere
The Netherlands
Tel: 036-5492950
FAX: 036-5492974

Cascade Kenhar Ltd.
3 Kelbrook Road
Parkhouse Ind. Estate
Openshaw,
Manchester M11 2DD
England
Tel: 0800-243015
FAX: 0161-4384055

**Sales Scotland
Macade Systems Ltd.**
18 Melford Road
Righead Ind. Estate
Bellshill ML4 3LR
Scotland
Tel: 01698-845777
FAX: 01698-845888

Cascade Scandinavia AB
Hammarvägen 10
PO Box 124
S-56723 Vaggeryd
Sweden
Tel: 039-336950
FAX: 039-336959

**Cascade France
S.A.R.L. MHP**
1D Rue De Charaintru BP 18,
91360 Epinay-Sur-Orge
France
Tel: 01-6454-7500
FAX: 01-6454-7501

Cascade Hispania S.A.
Calle Mogoda, 66-68 Nave 8
Pol Ind Can Salvatella
08210 Barberá del Vallés -
Barcelona, Spain
Tel: +34 93719 7530
Fax: +34 93719 75 31

Cascade (Africa) Pty. Ltd.
PO Box 625, Isando 1600
60A Steel Road
Sparton, Kempton Park
South Africa
Tel: 27-11-975-9240
FAX: 27-11-394-1147

Movimenta Lda.
Parque Industrial
Vale do Alecrim, Lote 108
2950-403 Palmela
Portugal
Tel: 351-212387340
FAX: 351-212387349

**Sales Switzerland
Fahrzeugbedarf**
8810, Horgen
Switzerland
Tel: 01-7279797
FAX: 01-7279798

Sales Poland
Targowa 35/61
03-728 Warszawa
Tel: 022-619 00 49
FAX: 022-619 00 49
Mobile Tel: 0501-27 29 55

Sales Russia
EMCG Material Handling
Equipment
Moscow
Tel: 095-795-2400
FAX: 095-795-2475
Email: emcg@emcg.ru

Cascade Japan Ltd.
2-23, 2-Chome,
Kukuchi Nishimachi
Amagasaki, Hyogo
Japan, 661-0978
Tel: 81-6-6420-9771
FAX: 81-6-6420-9777

Cascade Korea
121B 9L Namdong Ind.
Complex, 691-8 Gojan-Dong
Namdong-Ku
Inchon, 405-310 Korea
Tel: 82-32-821-2051
FAX: 82-32-821-2055

Cascade Australia
1445 Ipswich Road
Rocklea, QLD 4107
Australia
Tel: 1-800-227-223
FAX: 617-3373-7333

Cascade New Zealand
15 Ra Ora Drive
East Tamaki, Auckland
New Zealand
Tel: 64-9-273-9136
FAX: 64-9-273-9137

Cascade-Xiamen
No. 668 Yangguang Rd.
Xinyang Industrial Zone
Haicang, Xiamen City
Fujian Province
P.R. China 361026
Tel: 86-592-651-2500
FAX: 86-592-651-2571

**Sunstream Industries
Pte Ltd.**
No. 3 Tuas Link 1
2263
Singapore
Tel: 65-6863-3488
FAX: 65-6863-1368

**Cascade do Brasil
LTDA**
Rua João Guerra, 134
Macuco, Santos - SP
Brasil 11015-130
Tel: 55-13-2105-8800
Fax: 55-13-2105-8899

**Cascade India Material
Handling Private Limited**
No 9, Global Trade Centre
1/1 Rambaugh Colony
Lal Bahadur Shastri Road,
Navi Peth, Pune 411 030
(Maharashtra) India
Phone: 020 2433 5460/5490
Fax: 020 2433 0881

