



Parts Manual

Model _____ Fork Positioner

Serial Number _____ 100F-FPS-B172 R1

cascade[®]
corporation

For Technical Assistance call: 800-227-2233, Fax: 888-329-8207

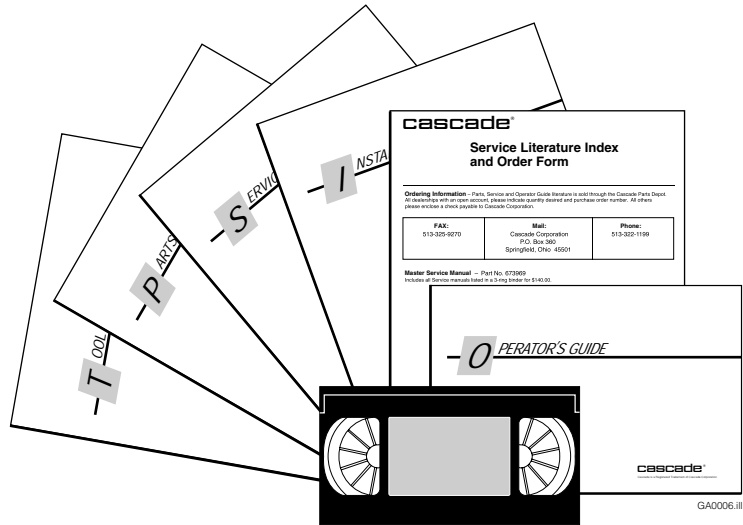
To Order Parts call: 888-227-2233, Fax: 888-329-0234

OR

Write: Cascade Corporation, P.O. Box 20187, Portland, OR 97220

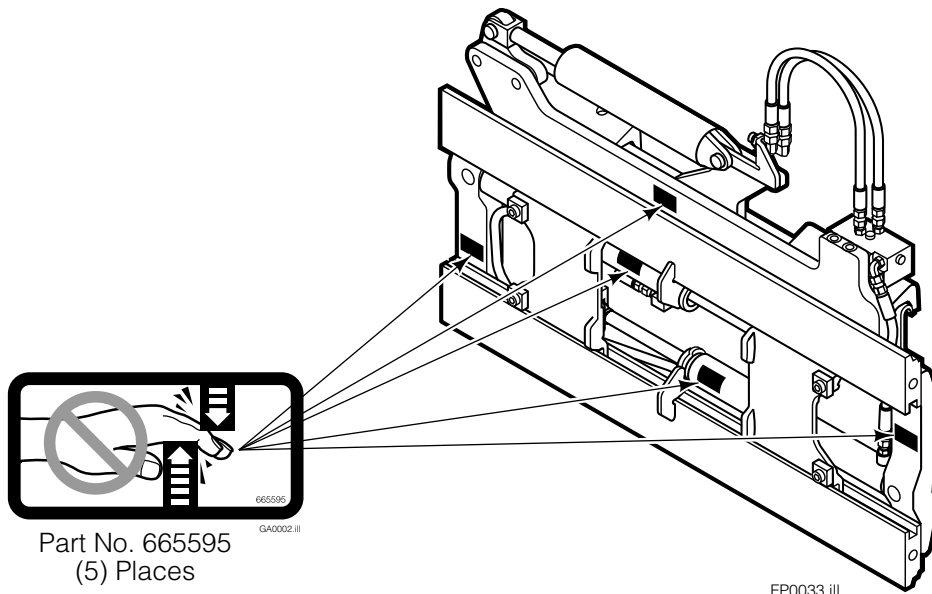
Internet: www.cascorp.com

Publications



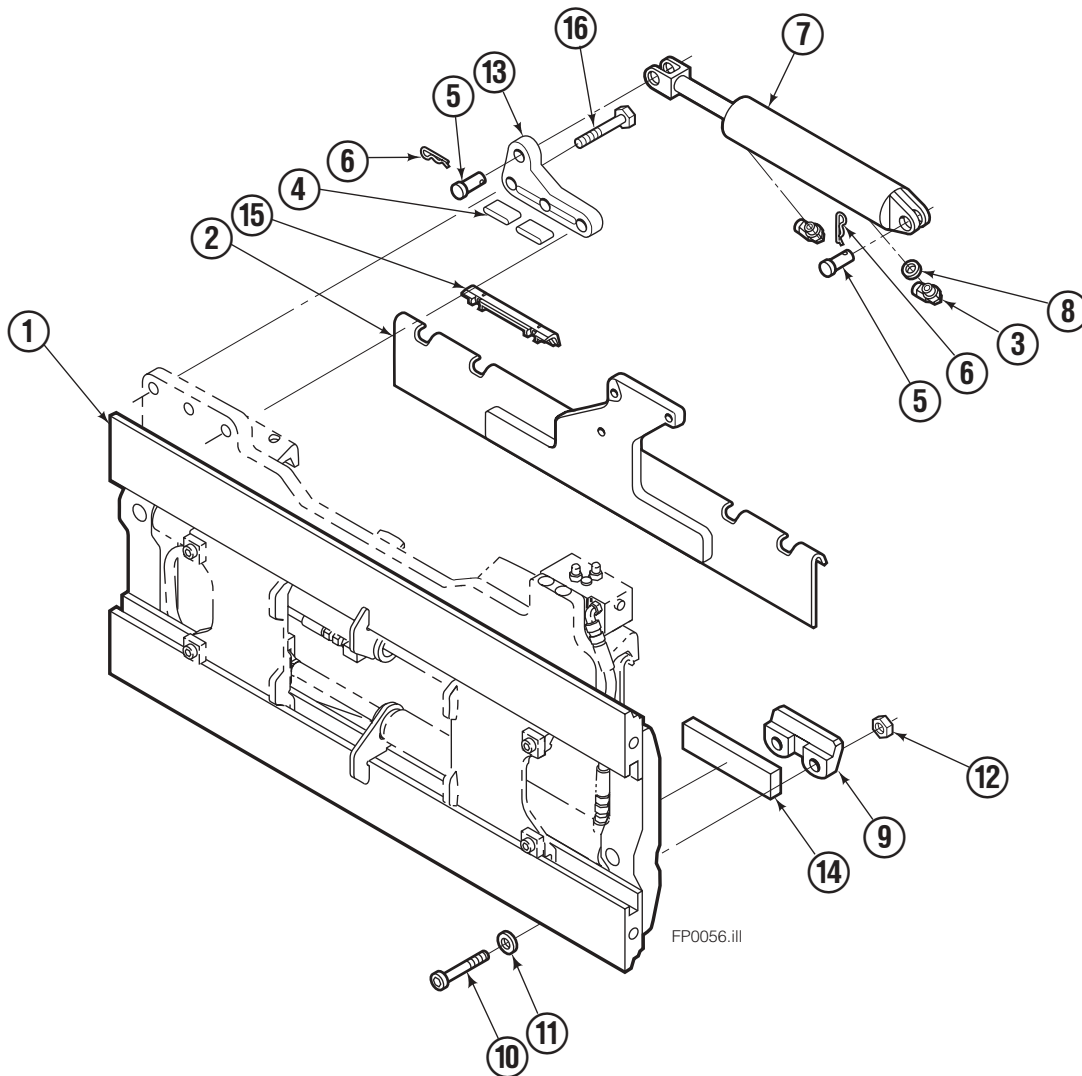
100F	
PART NO.	DESCRIPTION
	Parts Manual
208743	Service Manual
688261	Operators Guide
207363	Installation Instructions
680664	Servicing Cascade Cylinders-VHS
679929	Tool Catalog
673964	Literature Index Order Form

Safety Decals



Part No. 665595
(5) Places

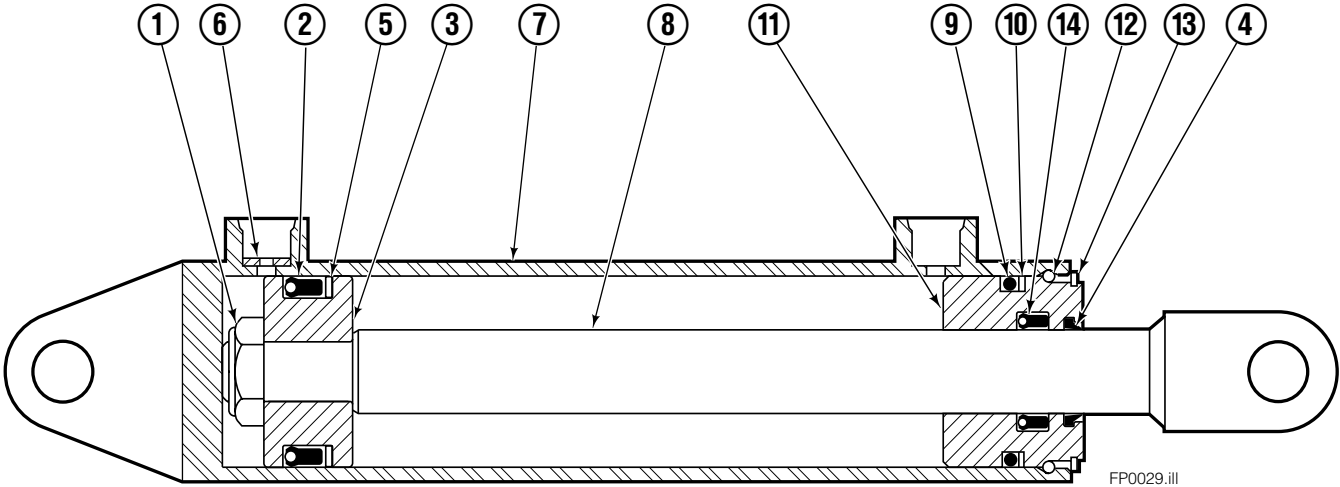
Mounting Group Sideshifting



100F							
REF	QTY	PART NO.	DESCRIPTION	REF	QTY	PART NO.	DESCRIPTION
		377147	Sideshifting Mounting – 72 in. ■●	9	2	204186	Lower Hook
1	1	377146	Frame – 72 in. ■	10	4	752903	Capscrew, M16 x 45
2	1	377148	Anchor Bracket – 72 in. ■	11	4	667225	Washer
3	2	601676	Fitting, 6-6	12	4	678990	Nut
4	2	209542	Key, M10x8x63	13	1	209309	Lug
5	2	678528	Clevis Pin	14	2	208350	Lower Bearing
6	2	672726	Hairpin Cotter	15	2	672018	Upper Bearing
7	1	676649	Cylinder Assembly ◆	16	3	752907	Capscrew, M20 x 50
8	1	675550	Washer (orifice .085)				

- Carriage width.
- Includes items 2 through 16.
- ◆ See Cylinder page for parts breakdown.

Sideshift Cylinder

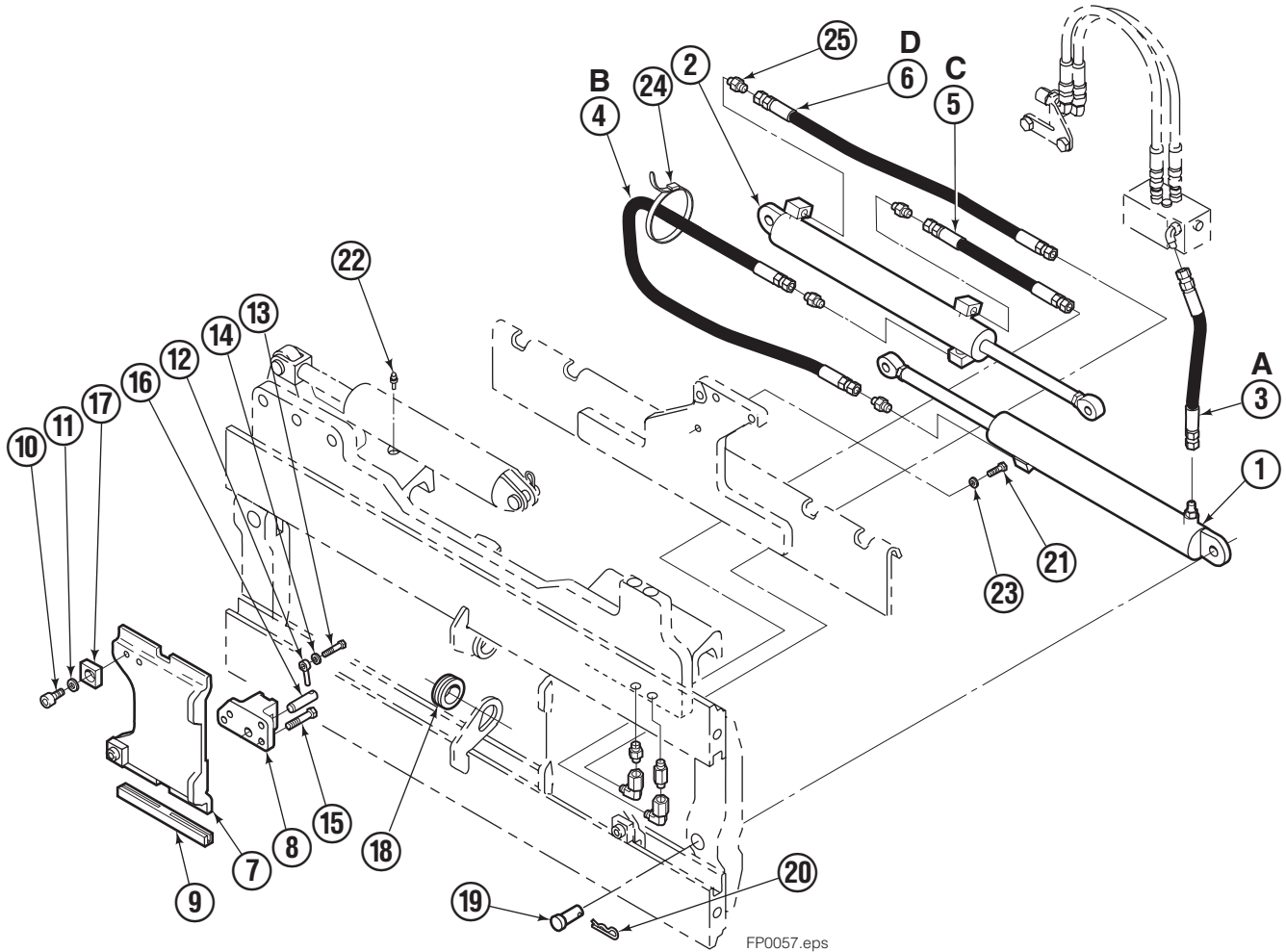


FP0029.ill

REF	QTY	PART NO.	DESCRIPTION
		676649	Cylinder Assembly
1	1	553717	Nut
2	1	662456	■ Seal
3	1	553527	Piston
4	1	636852	■ Wiper
5	1	649817	■ Back-up Ring
6	1	675550	Washer (orifice .085)
7	1	676776	Shell
8	1	553530	Rod
9	1	2789	■ O-Ring
10	1	615132	■ Back-up Ring
11	1	553528	Retainer
12	1	553688	Retaining Ring
13	1	7211	Snap Ring
14	1	662447	■ Seal
		553866	Service Kit

■ Included in Service Kit 553866.

Hydraulic/Fork Group



100F							
REF	QTY	PART NO.	DESCRIPTION	REF	QTY	PART NO.	DESCRIPTION
	●	377248	Hydraulic Group	13	2	763169	Capscrew, M6 x 20
	□	209502	Fork Group	14	2	680217	Lockwasher, M6
1	1	377249	Cylinder Assembly - LH ◆	15	8	684594	Capscrew, M10 x 20
2	1	377250	Cylinder Assembly - RH ◆	16	2	209308	Pin
3	1	209530	Hose, 31.80 in.	17	4	209306	Block
4	1	685988	Hose, 68.30 in.	18	2	209305	Grommet
5	1	209528	Hose, 15.67 in.	19	2	661675	Clevis Pin
6	1	675057	Hose, 43.50 in.	20	2	672726	Hairpin Cotter
7	2	209391	Fork Carrier	21	1	200788	Capscrew, M10 x 35
8	2	209280	Lug	22	2	7403	Grease Fitting
9	4	209303	Bearing	23	1	681238	Lockwasher, M10
10	4	768838	Capscrew, M16 x 30	24	1	200008	Cable Tie
11	4	678992	Lockwasher, M16	25	5	604511	Fitting, 6-6 ■
12	2	206923	Eyebolt				

◆ See Cylinder page(s) for parts breakdown.

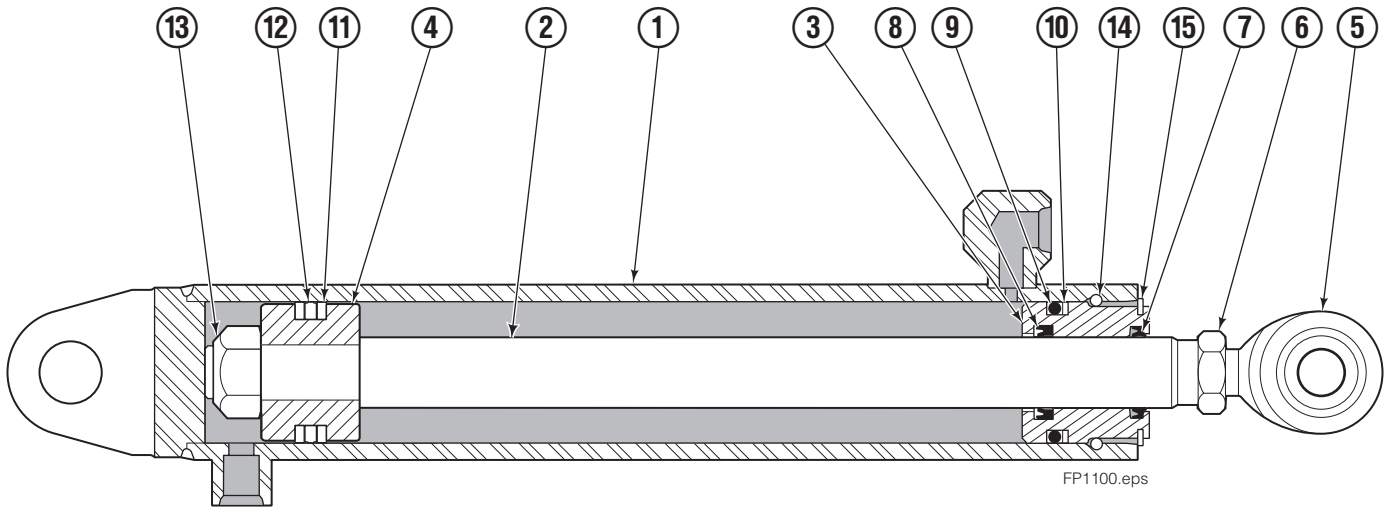
● Includes items 1 through 6.

□ Includes items 7 through 24.

■ Included in Flow Divider Group 209504.

Reference: S-4099, SK-6042.

Left Hand Cylinder

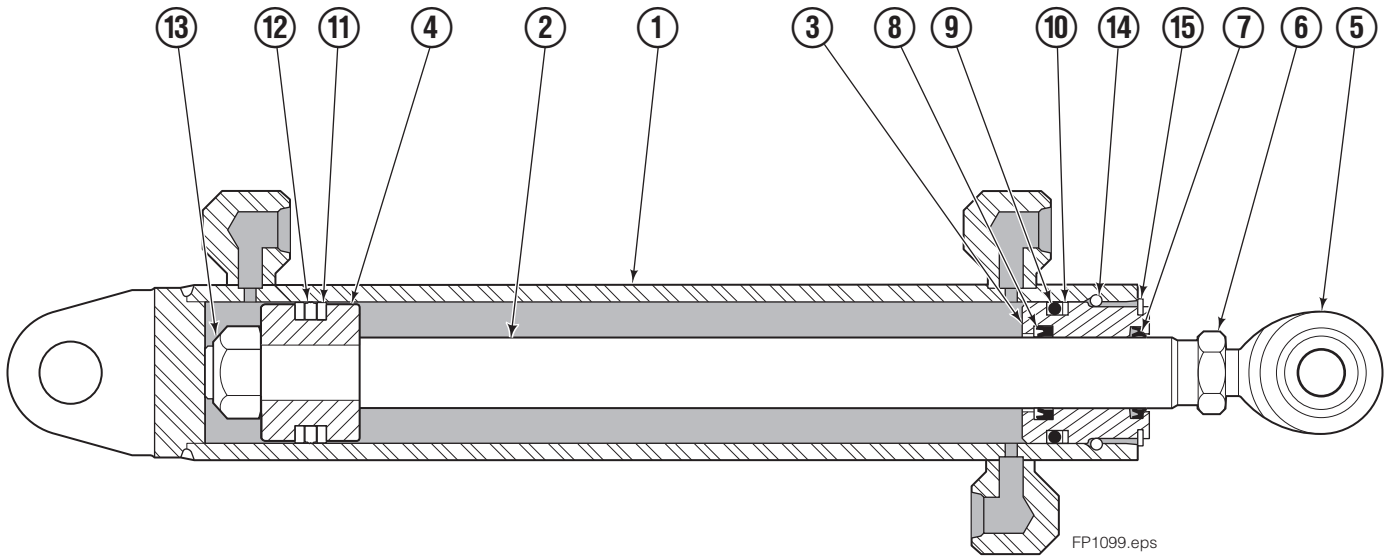


REF	QTY	PART NO.	DESCRIPTION
		377249	Cylinder Assembly
1	1	584046	Shell
2	1	584047	Rod
3	1	564451	Retainer
4	1	6111613	Piston
5	1	564452	Rod End
6	1	5721	Nut
7	1	564408	◆ Rod Wiper
8	1	564406	◆ Rod Seal
9	1	562127	◆ O-Ring
10	1	563388	◆ Back-up Ring
11	2	563278	◆ Bearing
12	1	564141	◆ Piston Seal
13	1	678019	Piston Nut
14	1	562942	Retaining Ring
15	1	562951	Snap Ring
		564453	Service Kit

◆ Included in Service Kit 564453.

Reference: S-6147, S-6142.

Right Hand Cylinder

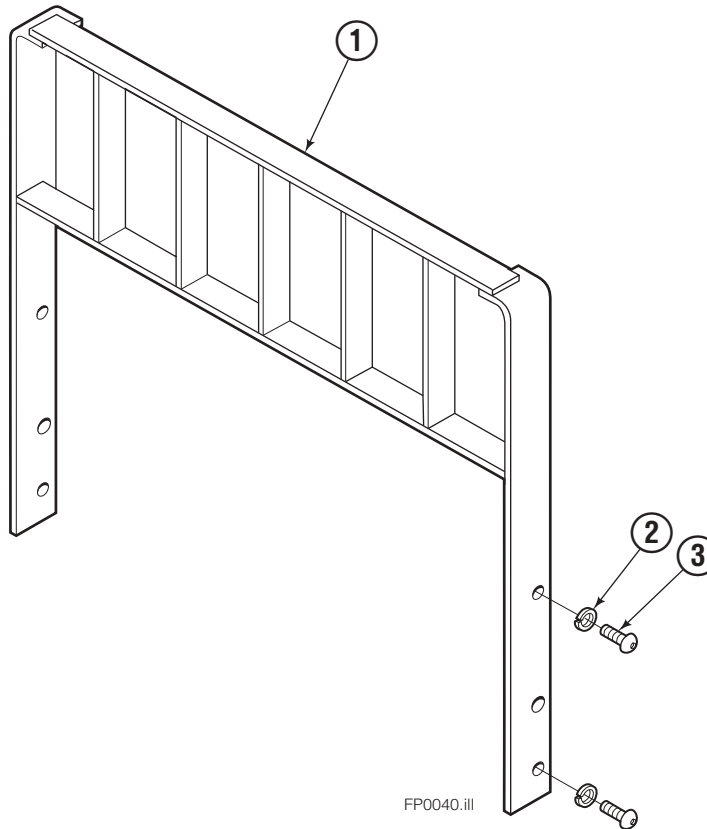


REF	QTY	PART NO.	DESCRIPTION
		377250	Cylinder Assembly
1	1	584048	Shell
2	1	584047	Rod
3	1	564451	Retainer
4	1	6111613	Piston
5	1	564452	Rod End
6	1	5721	Nut
7	1	564408	◆ Rod Wiper
8	1	564406	◆ Rod Seal
9	1	562127	◆ O-Ring
10	1	563388	◆ Back-up Ring
11	2	563278	◆ Bearing
12	1	564141	◆ Piston Seal
13	1	678019	Piston Nut
14	1	562942	Retaining Ring
15	1	562951	Snap Ring
		564453	Service Kit

◆ Included in Service Kit 564453.

Reference: S-6148, S-6143.

Backrest

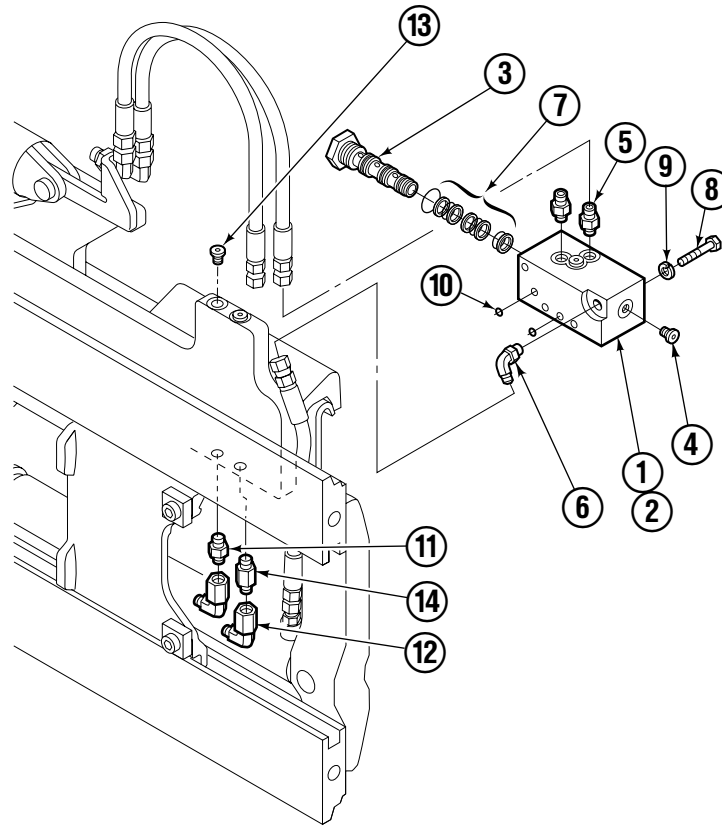


100F			
REF	QTY	PART NO.	DESCRIPTION
1	1	377149	Backrest – 72x48 in. (1829x1181 mm) ■
2	4	684586	Lockwasher
3	4	200173	Capscrew

■ Width by Height.

Reference: S-4098.

Flow Divider Group

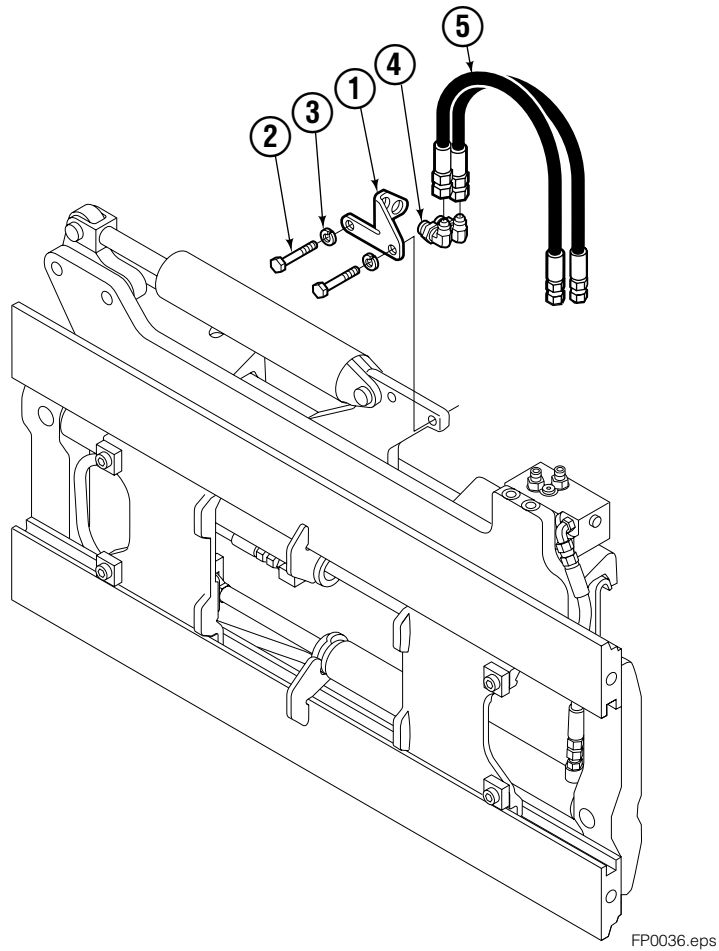


FP0035.iii

100F			
REF	QTY	PART NO.	DESCRIPTION
		209504	Flow Divider Group
1	1	209310	Valve ■
2	1	209311	Valve Body
3	1	201527	Cartridge-Combiner
4	2	663694	Fitting, 3
5	2	604511	Fitting, 6-6
6	1	601676	Fitting, 6-6
7	1	679992	Service Kit
8	3	685105	Capscrew
9	3	678993	Lockwasher
10	2	207300	O-Ring
11	1	604511	Fitting, 6-6
12	2	2680	Fitting, 6-6
13	2	604510	Fitting, 6
14	1	605743	Fitting, 6-6

■ Includes items 1 through 7.

Standard Installation Group



FP0036.eps

100F			
REF	QTY	PART NO.	DESCRIPTION
		209506	Installation Group
1	1	207314	Bracket
2	2	762899	Capscrew, M10X20-8.8
3	2	681238	Lockwasher
4	2	2453	Fitting, 8-8
5	2	207425	Hose

Do you have questions you need answered right now? Call your nearest Cascade Parts Department. Visit us online at www.cascorp.com

**Cascade Corporation
U.S. Headquarters**
2201 NE 201st
Fairview, OR 97024-9718
Tel: 800-CASCADE (227-2233)
FAX: 888-329-8207

Cascade Canada Inc.
5570 Timberlea Blvd.
Mississauga, Ontario
Canada L4W-4M6
Tel: 905-629-7777
FAX: 905-629-7785

Cascade GmbH
Niederwippekühl 1
58579 Schalksmühle
Germany
Tel: 02355-50900
FAX: 02355-509020

Cascade Finland
A. Petreliuksenkatu 3
01370 Vantaa
Finland
Tel: 09-8361925
FAX: 09-8361935

**Cascade Italia S.R.L.
European Headquarters**
Via Dell'Artigianato 1
37030 Vago di Lavagno (VR)
Italy
Tel: 39-045-8989111
FAX: 39-045-8989160

**Cascade N.V.
Benelux Sales**
Damsluisweg 56
PO Box 3009
1300 El Almere
The Netherlands
Tel: 036-5492950
FAX: 036-5492974

Cascade Kenhar Ltd.
3 Kelbrook Road
Parkhouse Ind. Estate
Openshaw,
Manchester M11 2DD
England
Tel: 0800-243015
FAX: 0161-4384055

**Sales Scotland
Macade Systems Ltd.**
18 Melford Road
Righead Ind. Estate
Bellshill ML4 3LR
Scotland
Tel: 01698-845777
FAX: 01698-845888

Cascade Scandinavia AB
Hammarvägen 10
PO Box 124
S-56723 Vaggeryd
Sweden
Tel: 039-336950
FAX: 039-336959

**Cascade France
S.A.R.L. MHP**
1D Rue De Charaintru BP 18,
91360 Epinay-Sur-Orge
France
Tel: 01-6454-7500
FAX: 01-6454-7501

Cascade Hispania S.A.
Calle Mogoda, 66-68 Nave 8
Pol Ind Can Salvatella
08210 Barberá del Vallés -
Barcelona, Spain
Tel: +34 93719 7530
Fax: +34 93719 75 31

Cascade (Africa) Pty. Ltd.
PO Box 625, Isando 1600
60A Steel Road
Sparton, Kempton Park
South Africa
Tel: 27-11-975-9240
FAX: 27-11-394-1147

Movimenta Lda.
Parque Industrial
Vale do Alecrim, Lote 108
2950-403 Palmela
Portugal
Tel: 351-212387340
FAX: 351-212387349

**Sales Switzerland
Fahrzeugbedarf**
8810, Horgen
Switzerland
Tel: 01-7279797
FAX: 01-7279798

Sales Poland
Targowa 35/61
03-728 Warszawa
Tel: 022-619 00 49
FAX: 022-619 00 49
Mobile Tel: 0501-27 29 55

Sales Russia
EMCG Material Handling
Equipment
Moscow
Tel: 095-795-2400
FAX: 095-795-2475
Email: emcg@emcg.ru

Cascade Japan Ltd.
2-23, 2-Chome,
Kukuchi Nishimachi
Amagasaki, Hyogo
Japan, 661-0978
Tel: 81-6-6420-9771
FAX: 81-6-6420-9777

Cascade Korea
121B 9L Namdong Ind.
Complex, 691-8 Gojan-Dong
Namdong-Ku
Inchon, 405-310 Korea
Tel: 82-32-821-2051
FAX: 82-32-821-2055

Cascade Australia
1445 Ipswich Road
Rocklea, QLD 4107
Australia
Tel: 1-800-227-223
FAX: 617-3373-7333

Cascade New Zealand
15 Ra Ora Drive
East Tamaki, Auckland
New Zealand
Tel: 64-9-273-9136
FAX: 64-9-273-9137

Cascade-Xiamen
No. 668 Yangguang Rd.
Xinyang Industrial Zone
Haicang, Xiamen City
Fujian Province
P.R. China 361026
Tel: 86-592-651-2500
FAX: 86-592-651-2571

**Sunstream Industries
Pte Ltd.**
No. 3 Tuas Link 1
2263
Singapore
Tel: 65-6863-3488
FAX: 65-6863-1368

**Cascade do Brasil
LTDA**
Rua João Guerra, 134
Macuco, Santos - SP
Brasil 11015-130
Tel: 55-13-2105-8800
Fax: 55-13-2105-8899

**Cascade India Material
Handling Private Limited**
No 9, Global Trade Centre
1/1 Rambaugh Colony
Lal Bahadur Shastri Road,
Navi Peth, Pune 411 030
(Maharashtra) India
Phone: 020 2433 5460/5490
Fax: 020 2433 0881

