



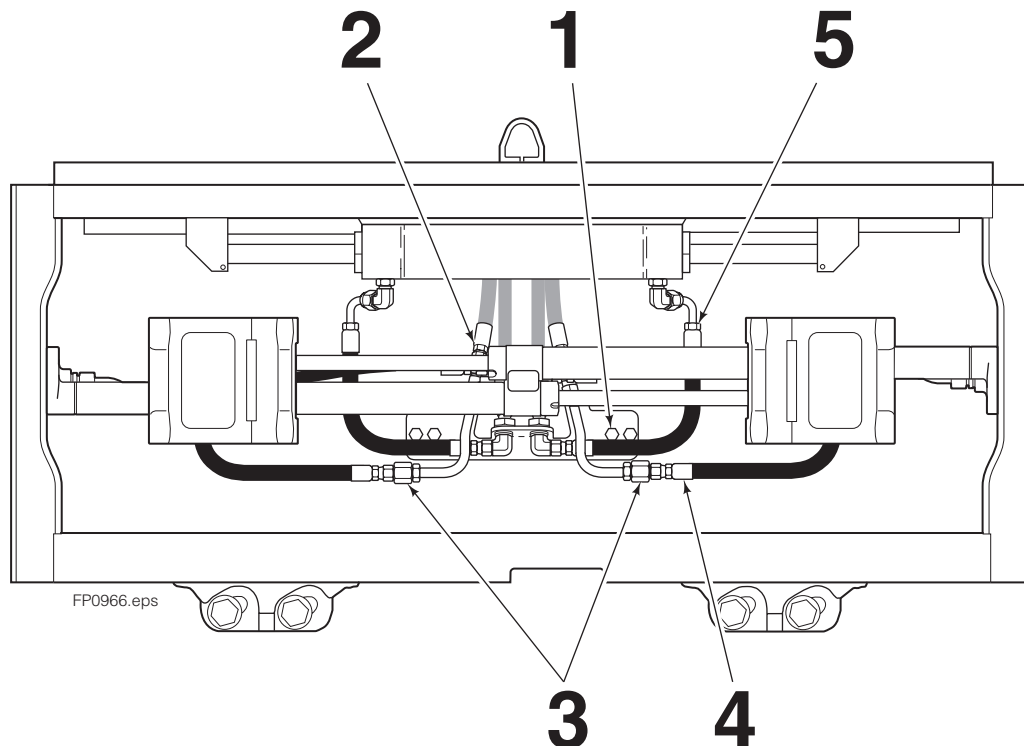
Installation Instructions

55K Fork Positioner Installation Kits for Lift-Tek 30D Masts

This sheet provides installation instructions for a Cascade Installation Kit. The kit provides hoses and a tube bracket to connect the hydraulic system on a K-Series Sideshifting Fork Positioner to the reeving system supply hoses on a Lift-Tek 30D Mast carriage.

Installation Kit 6064328

- 1 Install the tube bracket to the mast carriage.
- 2 Connect the mast reeving hoses to the bracket fittings.
- 3 Install the reducer fittings to the tube ends.
- 4 Connect the straight hoses to the tube ends. Connect the other hose ends to the fork positioner supply fittings. The hoses are equipped with reuseable fittings. If necessary, cut hoses to length.
- 5 Connect the 90° hose ends on the other hoses to the sideshift cylinder fittings. Connect the other hose ends to the bracket sideshifter supply fittings.



Part No. 6064779-R2

cascade®
corporation

For Technical Support . . .

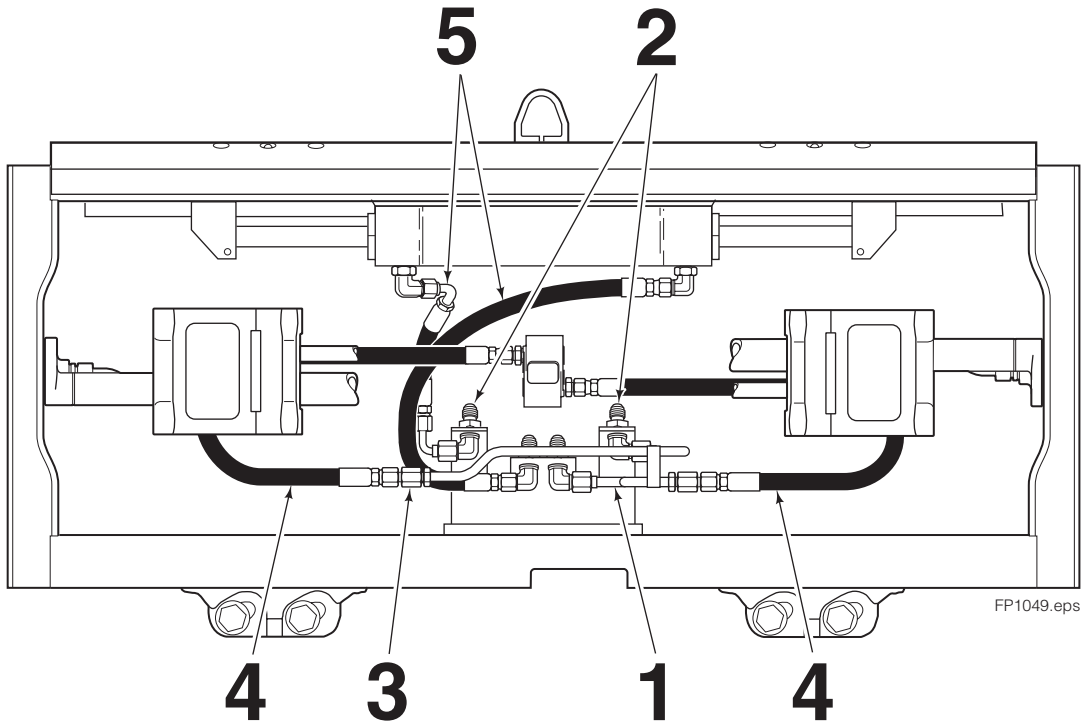
Call: 1-800-227-2233 Fax: 1-888-329-8207
Internet: www.cascorp.com
Write: Cascade Corporation, PO Box 20187, Portland, OR 97294

To Order Parts . . .

Call: 1-888-227-2233 Fax: 1-888-329-0234
Internet: www.cascorp.com
Write: Cascade Corporation, 2501 Sheridan Ave., Springfield, OH 45505

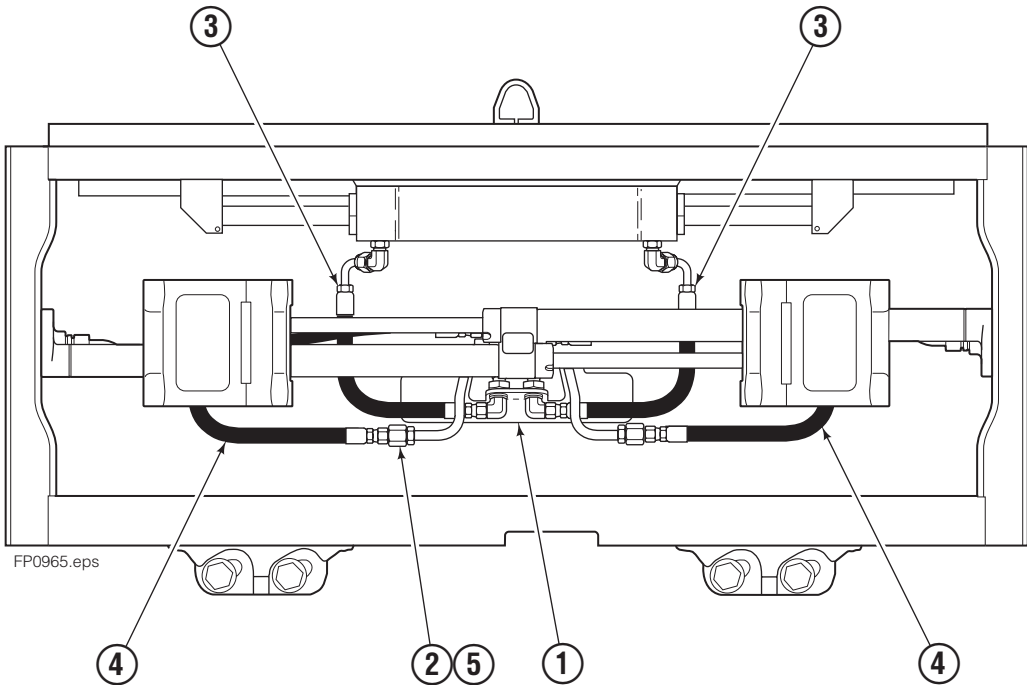
Installation Kit 6074858

- 1 Install the tube bracket to the mast carriage fittings.
- 2 Connect the mast reeving hoses to the carriage fittings.
- 3 Install the reducer fittings to the tube ends.
- 4 Connect hoses to the tube ends. Connect the other hose ends to the fork positioner supply fittings. The hoses are equipped with reuseable fittings. If necessary, cut hoses to length.
- 5 Connect hoses to the sideshift cylinder fittings. Connect the other hose ends to the sideshifter supply fittings.



Parts List

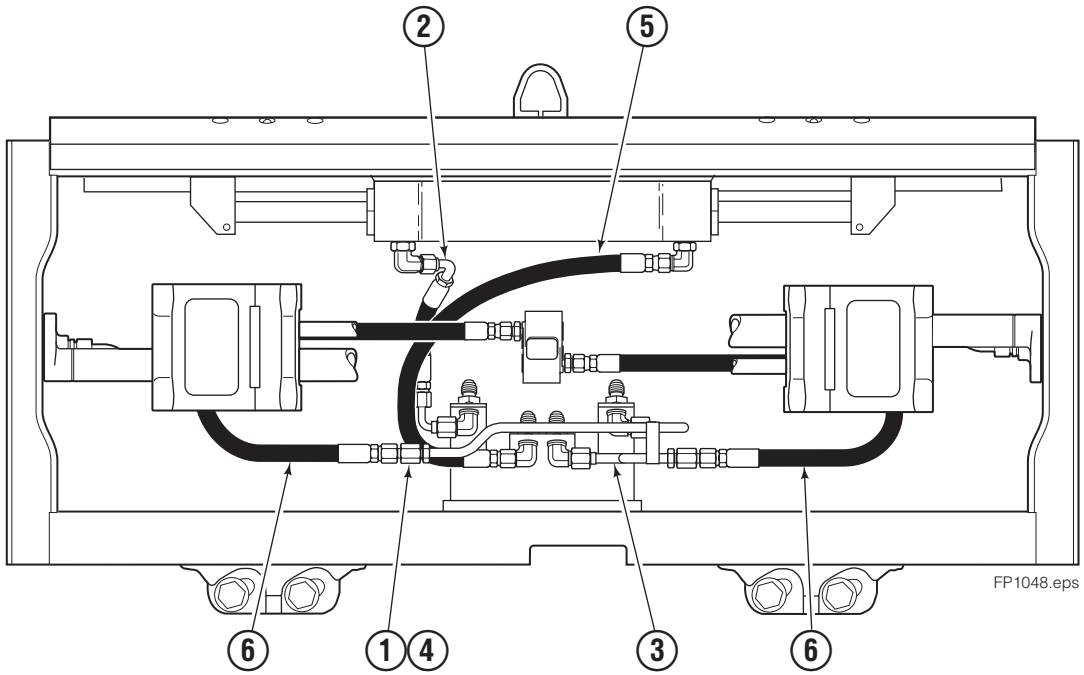
Installation Kit 6064328



REF	QTY	PART NO.	DESCRIPTION
		6064328	Hose Installation Kit
1	1	6064484	Tube Bracket
2	2	2669	Reducer Fitting, 6-4 JIC
3	2	6064553	Hose
4	2	6055409	Hose
5	2	2617	Nut, 6

Parts List

Installation Kit 6074858



REF	QTY	PART NO.	DESCRIPTION
		6074858	Hose Installation Kit
1	2	2669	Fitting, 6-4 JIC
2	1	6074988	Hose
3	1	6074970	Tube Weldment
4	2	2617	Nut, 6
5	1	6074993	Hose
6	2	6054406	Hose