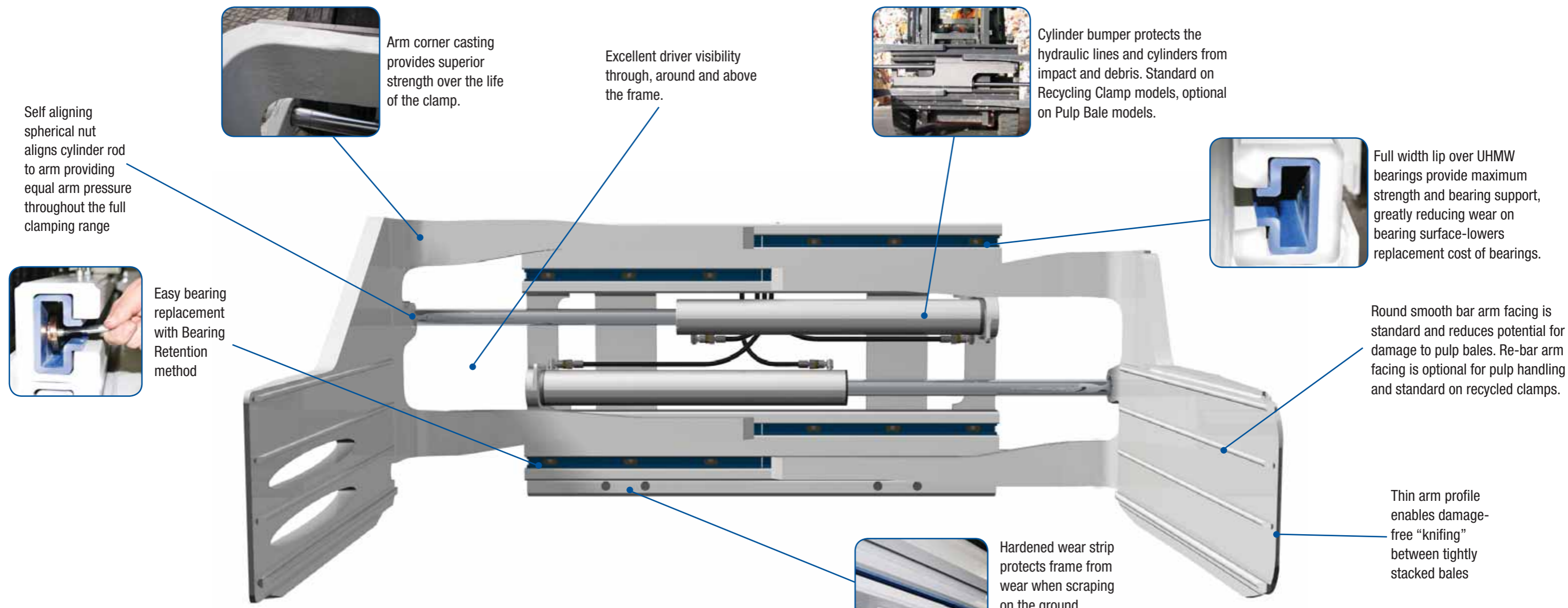




*Rugged Clamps for Demanding Applications.*



# Efficiently and economically handle nearly any type of baled product.



Self aligning spherical nut aligns cylinder rod to arm providing equal arm pressure throughout the full clamping range

Arm corner casting provides superior strength over the life of the clamp.

Excellent driver visibility through, around and above the frame.

Cylinder bumper protects the hydraulic lines and cylinders from impact and debris. Standard on Recycling Clamp models, optional on Pulp Bale models.

Full width lip over UHMW bearings provide maximum strength and bearing support, greatly reducing wear on bearing surface-lowers replacement cost of bearings.

Easy bearing replacement with Bearing Retention method

Round smooth bar arm facing is standard and reduces potential for damage to pulp bales. Re-bar arm facing is optional for pulp handling and standard on recycled clamps.

Thin arm profile enables damage-free “knifing” between tightly stacked bales

Hardened wear strip protects frame from wear when scraping on the ground. 2 piece for the pulp clamp and 1 piece full width for the recycling clamp.

## Hydraulic Compatibility

Designed to fit both high pressure and low pressure lift truck systems, the hydraulic circuit provides:

- Overclamping protection
- Sideshift pressure relief
- Backhand pressure relief
- Excellent accessibility for servicing
- Flow division hydraulics

## Visibility

Designed with the operator in mind. Maximum visibility through and around the frame. Profiled arms allow good functionality and visibility without sacrificing strength.

## Gentle Handling

Full pressure protected hydraulic valve, application designed arms all provide you with a clamp that will handle your product gently but securely.

## True Centering Key

Easy installation on lift truck.

## Durability

Cascade clamps feature all steel frame sections, extruded alloy steel arm bars, cast arm bases, full length one-piece thick-wall UHMW replaceable arm bearings, protected hydraulic valves and bolt-on lower frame wear strips. These, coupled with Cascade's 67 years of experience, are your guarantee for outstanding durability and reliability.

## Easy to Service

Modular design coupled with accessible components and high quality materials make service easy. Full supporting service parts and documentation are available.

## Fast, Uniform Motion

Low friction bearings, extruded frame and arm profiles, double acting piston seals. Built-in hydraulic flow dividers and bi-directional relief valve guarantee fast and uniform arm movement.

## Articulating Arm Model

1. Adjustability for wear
2. Pin less knuckle joint for durability
3. Replaceable bronze bearing protects knuckle joint
4. Spring to properly align arm
5. Zerk fittings for easy lubrication
6. Articulating arm distributes clamp force equally from front to back





## MODELS

### **Articulated Left Arm:**

Articulating left arm self-aligns the arms to the load to evenly distribute clamp force on entire load, perfect for loads that are two bales deep.

### **Fixed Arms:**

Thin profile on both arms for recycling or pulp handling

## OPTIONS

- Optional arm facing available for special applications:
  - Button head facing is an option which minimizes the potential for damaging the wire wrapped around the unitized load.
  - Higher friction re-bar arm facing
- A variety of arm sizes, configurations and opening ranges available
- Frame easily adapts to different mountings.
- Frame bumper to protect cylinders
- Left hand or right hand hydraulic clamp connection. Right hand is standard.

