



Superior load
inverting and
dumping
versatility.

Great visibility, fast rotation, increased payload for 1,500 - 2,500 kg. trucks

APPLICATIONS

30G and 40G Rotators are designed to give your driver the best possible visibility while quickly inverting loads. Cascade rotators are widely used in food processing, agriculture, recycling, automotive manufacturing, and general manufacturing operations where bins or tote boxes are used for both dumping and general handling requirements.

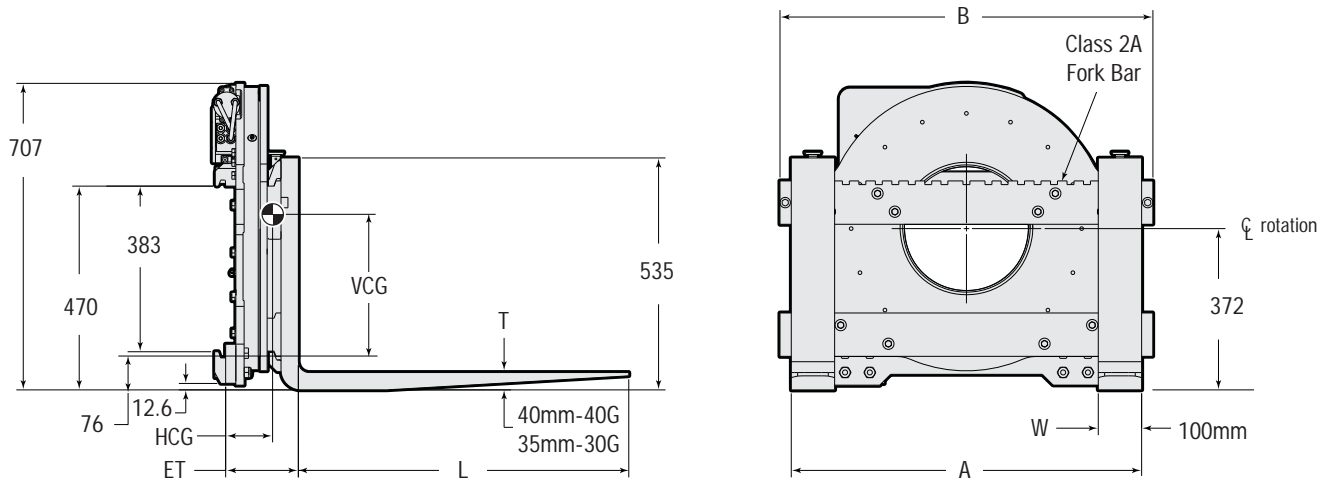
FEATURES

- **Proven Rugged Construction**- Cascade's gear drive box and ring gear design provides superior service life.
- **Center Bearing Seal**- locks out contamination and brine for extended life in fish & brine applications.
- **Visibility**- The G series Rotators provide superior visibility through the center, side, and over the top of the rotator.
- **Rotational Torque**- High torque motor, ensures smooth, positive rotation of the load.
- **Forks**- Rotators may be ordered with standard forks, custom forks or without forks.

OPTIONS

- **180° Rotation Stop Group**- Used when stopping rotation at precisely 180° is desirable.
- **Customizable fork bars**- Allowing for application specific fork spread.
- **Quick-change Lower Mounting Hooks**- Allow the rotator to be removed or installed in a matter of minutes without tools. (Quick-change hydraulic couplers available separately)
- **Bin Retainer**- Custom designed to clamp on top of bin to hold bin in place while rotating. Typically used when bin does not have fork pockets.
- **Special fork sizes** and configurations available.
- **Side Stabilizers**
- **Fork Side Restraints**





360° Rotation

Catalog Order No.	Capacity @ 500mm Load Center	Overall Width	Fork Set Spread	Fork Length	Min. Truck Carriage Width	Effective Thickness	Horizontal Ctr. of Gravity	Vertical Ctr. of Gravity	Mass	Mtg. Class	Mtg. Angle	Mtg. Class front bar
	kg	B (mm)	A (mm)	LxWxT (mm)	(mm)	ET (mm)	HCG (mm)	VCG (mm)				
30G-RRB-A510	1,600	860	200-815	w/o forks	635	128	63	272	187	2A	0°	2A
30G-RRB-A520	1,600	990	200-940	w/o forks	635	128	64	270	193	2A	0°	2A
30G-RRB-A511	1,600	860	200-815	800x100x35	635	162	125	220	250	2A	0°	2A
30G-RRB-A521	1,600	990	200-940	800x100x35	635	162	125	220	256	2A	0°	2A
30G-RRB-A512	1,600	860	200-815	900x100x35	635	162	140	216	256	2A	0°	2A
30G-RRB-A522	1,600	990	200-940	900x100x35	635	162	140	216	262	2A	0°	2A
30G-RRB-A513	1,600	860	200-815	1,000x100x35	635	162	155	211	262	2A	0°	2A
30G-RRB-A523	1,600	990	200-940	1,000x100x35	635	162	155	211	268	2A	0°	2A
30G-RRB-A514	1,600	860	200-815	1,200x100x35	635	162	190	201	272	2A	0°	2A
30G-RRB-A524	1,600	990	200-940	1,200x100x35	635	162	190	201	278	2A	0°	2A
40G-RRB-A510	2,200	860	200-815	w/o forks	635	130	63	270	194	2A	0°	2A
40G-RRB-A520	2,200	990	200-940	w/o forks	635	130	63	270	200	2A	0°	2A
40G-RRB-A511	2,200	860	200-815	800x100x40	635	171	129	219	265	2A	0°	2A
40G-RRB-A521	2,200	990	200-940	800x100x40	635	171	129	219	271	2A	0°	2A
40G-RRB-A512	2,200	860	200-815	900x100x40	635	171	144	212	272	2A	0°	2A
40G-RRB-A522	2,200	990	200-940	900x100x40	635	171	144	212	278	2A	0°	2A
40G-RRB-A513	2,200	860	200-815	1,000x100x40	635	171	163	207	279	2A	0°	2A
40G-RRB-A523	2,200	990	200-940	1,000x100x40	635	171	163	207	285	2A	0°	2A
40G-RRB-A514	2,200	860	200-815	1,200x100x40	635	171	199	196	290	2A	0°	2A
40G-RRB-A524	2,200	990	200-940	1,200x100x40	635	171	199	196	296	2A	0°	2A

HYDRAULIC FUNCTIONS

Hydraulic Functions	Truck Aux. Valves Required
1	1

HYDRAULIC FLOW & PRESSURE

Minimum Flow	Recommended Flow	Maximum Flow	Maximum Pressure
19 lpm	28 lpm	38 lpm	160 bar

ROTATOR SPECIFICATIONS

Model	Rotator Speed	Rotator Torque
30G ^①	8.3 RPM @ 38 lpm	4,000 Nm
40G	7 RPM @ 38 lpm	4,500 Nm

① Optional motor providing increased torque is available. Reduced speed will result.