



*Minimize down
time with UHMW
bearings and
self aligning
articulated joint*

Extremely Durable Bale Clamp Minimizes Down Time, Provides Excellent Visibility

APPLICATIONS

The Cascade 170G Pulp Bale Clamp efficiently handles up to 24 pulp bales and scrap paper bales up to 6,500 kg. It is aptly suited for use in the waste paper industry.

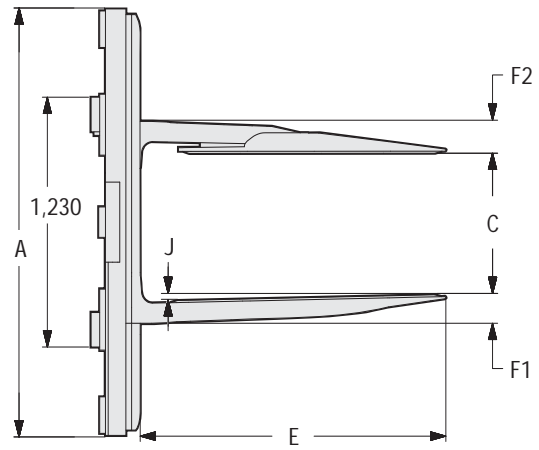
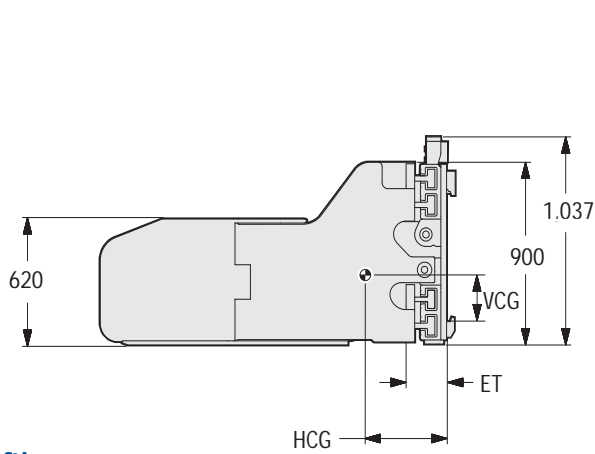
FEATURES

- Thin arm profile enables damage-free “knifing” between tightly stacked bales
- Full-length, lip over UHMW bearings provide maximum strength and bearing support, greatly reducing wear on bearing surface
- Spring loaded pinless hinge design provides quiet operation
- Multi-function high efficiency valve protects clamp and ensures equal arm movement
- Protected valve location is easily accessible for servicing and adjusting pressure relief settings
- Arm bar corner casting designed to prevent interference with the load
- Articulating left arm self-aligns the arms to the load to evenly distribute clamp force on entire load
- Round bar arm facing provides secure bale handling
- Steel edge plating protects frame from wear when dragged on the ground

OPTIONS

- Optional arm facing available for special applications, such as hockey puck or serrated ribs
- A variety of arm sizes, configurations and opening ranges available
- Frame easily adapts to different mountings: pin or Class 5A





Sideshifting

Model	Capacity @ 800 mm Load Center (kg)	Opening Range ITI (mm)		Mounting Class ISO 2328	Overall Width (mm) A	Arm Length (mm) E	Arm Thickness (mm) F1	Articulated Arm Thickness (mm) F2	Arm Toe-in (mm) J	Weight (kg)	Horizontal Center of Gravity (mm) HCG	Vertical Center of Gravity (mm) VCG	Effective Thickness (mm) ET
		C Min	C Max										
Articulating Left Arm													
170G-PBS-C011	6500	650	2940	4A	2000	1200	132	153	23	1742	260	427	212
170G-PBS-C012	6500	650	2940	4A	2000	1400	136	155	27	1834	306	421	212
170G-PBS-C013	6500	650	2940	4A	2000	1600	140	157	31	1907	352	416	212
170G-PBS-C031	6500	700	3140	4A	2100	1200	132	153	23	1770	257	428	212
170G-PBS-C032	6500	700	3140	4A	2100	1400	136	155	27	1862	303	422	212
170G-PBS-C033	6500	700	3140	4A	2100	1600	140	157	31	1935	349	417	212
170G-PBS-C051	6500	750	3340	4A	2200	1200	132	153	23	1798	254	429	212
170G-PBS-C052	6500	750	3340	4A	2200	1400	136	155	27	1890	300	423	212
170G-PBS-C053	6500	750	3340	4A	2200	1600	140	157	31	1963	346	418	212
170G-PBS-C071	6500	650	3140	4A	2200	1200	132	153	23	1793	256	428	212
170G-PBS-C072	6500	650	3140	4A	2200	1400	136	155	27	1885	302	422	212
170G-PBS-C073	6500	650	3140	4A	2200	1600	140	157	31	1958	348	417	212
170G-PBS-C091	6500	650	3340	4A	2400	1200	132	153	23	1845	250	429	212
170G-PBS-C092	6500	650	3340	4A	2400	1400	136	155	27	1937	296	423	212
170G-PBS-C093	6500	650	3340	4A	2400	1600	140	157	31	2010	342	418	212
Fixed Arms													
170G-PBS-C111	6500	650	2920	4A	2000	1200	132	n/a	23	1682	240	427	212
170G-PBS-C112	6500	650	2920	4A	2000	1400	136	n/a	27	1769	286	421	212
170G-PBS-C113	6500	650	2920	4A	2000	1600	140	n/a	31	1837	332	416	212
170G-PBS-C131	6500	700	3120	4A	2100	1200	132	n/a	23	1710	237	428	212
170G-PBS-C132	6500	700	3120	4A	2100	1400	136	n/a	27	1797	283	422	212
170G-PBS-C133	6500	700	3120	4A	2100	1600	140	n/a	31	1865	329	417	212
170G-PBS-C151	6500	750	3320	4A	2200	1200	132	n/a	23	1738	234	429	212
170G-PBS-C152	6500	750	3320	4A	2200	1400	136	n/a	27	1825	280	423	212
170G-PBS-C153	6500	750	3320	4A	2200	1600	140	n/a	31	1893	326	418	212
170G-PBS-C171	6500	650	3120	4A	2200	1200	132	n/a	23	1733	236	428	212
170G-PBS-C172	6500	650	3120	4A	2200	1400	136	n/a	27	1820	282	422	212
170G-PBS-C173	6500	650	3120	4A	2200	1600	140	n/a	31	1888	328	417	212
170G-PBS-C191	6500	650	3320	4A	2400	1200	132	n/a	23	1785	230	429	212
170G-PBS-C192	6500	650	3320	4A	2400	1400	136	n/a	27	1872	276	423	212
170G-PBS-C193	6500	650	3320	4A	2400	1600	140	n/a	31	1940	322	418	212

- ▶ Pin mounting and Class 5 mounting are available. Consult Cascade for specifications.
- ▶ Integral Sideshift.

- ▶ Mounting is designed to suit the application and is not included.
- ▶ Right Hand articulation available as a special.

HYDRAULIC FUNCTIONS

Model	Hydraulic Functions	Truck Aux. Valves Required
170G-PBS	2	2

HYDRAULIC FLOW & PRESSURE (L/Min.)

Min. Flow	Recommended Flow	Max. Flow	Max. Pressure
38	57	90	250 BAR