



## The fork positioner for demanding material handling requirements.

### APPLICATIONS

The F-Series sideshifting fork positioner is recommended for applications in distribution, manufacturing, food processing and limited outdoor uses. The top mount sideshift cylinder provides good visibility over the top and through the middle for handling a variety of pallet configurations.

### FEATURES

- No-weld installation
- Sideshift cylinder fixed hose termination
- Center mount combination 4- and 5-inch wide fork carriers
- Smooth, even fork travel
- Various load backrest heights available

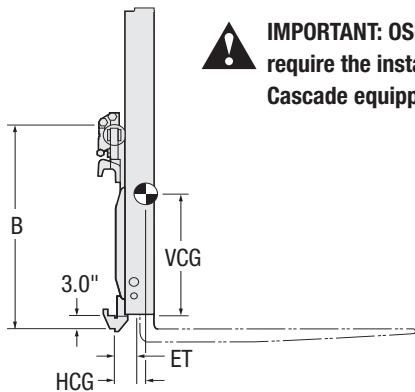
### OPTIONS

- Sequence valve for use with a single auxiliary valve
- Solenoid valve for use with a single auxiliary valve
- Quick Disconnect lower mounting hooks
- Non-sideshifting models
- Bronze bearings
- Bronze lower hooks

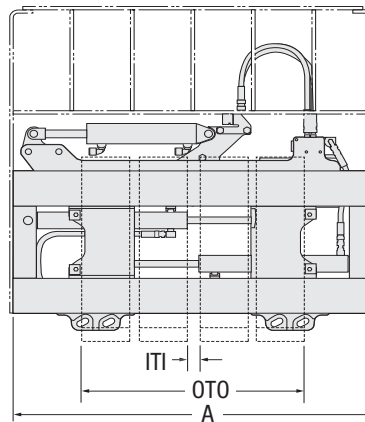


*A smooth operating sideshifting fork positioner to increase productivity, improve safety and decrease product damage.*

# F-SERIES FORK POSITIONER



**IMPORTANT:** OSHA or state regulations may require the installation of backrests. Cascade equipped load backrest required.



Catalog Order No.	Capacity @ 24" (600 mm) Load Center		Carriage Width w/o Load Backrest A	Opening Range ITI-OTO	Fork Pocket Width ①	Mtg. Class	Min. Truck Carriage Width	Weight		Effective Thickness ET	Horizontal Ctr. of Gravity HCG	Vertical Ctr. of Gravity VCG	Overall Height B
	lbs	kg						lbs	kg				
<b>With Backrest (48" height) Backrest adds 1" to overall width</b>													
55F-FPS-A137	5,500	2,495	37"	1.2"-34.5"	5.0"	II ②	31"	300	136	2.70"	1.7"	15.0"	23.5"
55F-FPS-A141	5,500	2,495	41"	1.2"-38.5"	5.0"	II ②	37"	325	147	2.70"	1.7"	15.3"	23.5"
55F-FPS-A149	5,500	2,495	49"	1.2"-46.5"	5.0"	II ②	41"	369	167	2.70"	1.7"	15.3"	23.5"
100F-FPS-B141	10,000	4,540	41"	1.8"-37.5"	6.0"	III	37"	503	228	3.65"	2.3"	14.6"	29.5"
100F-FPS-B149	10,000	4,540	49"	1.8"-45.5"	6.0"	III	41"	567	257	3.65"	2.2"	14.7"	29.5"
100F-FPS-B154	10,000	4,540	54"	1.8"-50.5"	6.0"	III	46"	633	287	3.65"	2.2"	15.0"	29.5"
100F-FPS-B161	10,000	4,540	61"	1.8"-57.5"	6.0"	III	49"	668	303	3.65"	2.2"	14.7"	29.5"
100F-FPS-B172	10,000	4,540	72"	1.8"-68.5"	6.0"	III	61"	940	426	3.65"	2.2"	14.8"	29.5"
120F-FPS-C141	12,000	5,450	41"	1.8"-37.5"	6.0"	IV	37"	660	300	4.00"	2.7"	19.6"	34.0"
120F-FPS-C149	12,000	5,450	49"	1.8"-45.5"	6.0"	IV	41"	743	338	4.00"	2.6"	19.7"	34.0"
120F-FPS-C154	12,000	5,450	54"	1.8"-50.5"	6.0"	IV	46"	811	368	4.00"	2.6"	19.7"	34.0"
120F-FPS-C161	12,000	5,450	61"	1.8"-57.5"	6.0"	IV	49"	865	398	4.00"	2.6"	19.7"	34.0"
120F-FPS-C172	12,000	5,450	72"	1.8"-68.5"	6.0"	IV	61"	1050	560	4.00"	2.6"	19.8"	34.0"
<b>Without Backrest</b>													
55F-FPS-A037	5,500	2,495	37"	1.2"-34.5"	5.0"	II ②	31"	226	103	2.70"	1.3"	10.2"	23.5"
55F-FPS-A041	5,500	2,495	41"	1.2"-38.5"	5.0"	II ②	37"	244	111	2.70"	1.3"	10.2"	23.5"
55F-FPS-A049	5,500	2,495	49"	1.2"-46.5"	5.0"	II ②	41"	278	126	2.70"	1.4"	10.3"	23.5"
100F-FPS-B041	10,000	4,540	41"	1.8"-37.5"	6.0"	III	37"	427	194	3.65"	2.1"	11.8"	29.5"
100F-FPS-B049	10,000	4,540	49"	1.8"-45.5"	6.0"	III	41"	483	219	3.65"	1.9"	11.9"	29.5"
100F-FPS-B054	10,000	4,540	54"	1.8"-50.5"	6.0"	III	46"	531	241	3.65"	1.9"	11.9"	29.5"
100F-FPS-B061	10,000	4,540	61"	1.8"-57.5"	6.0"	III	49"	571	259	3.65"	1.9"	11.9"	29.5"
100F-FPS-B072	10,000	4,540	72"	1.8"-68.5"	6.0"	III	61"	725	329	3.65"	1.9"	11.9"	29.5"
120F-FPS-C041	12,000	5,450	41"	1.8"-37.5"	6.0"	IV	37"	550	250	4.00"	2.5"	16.8"	34.0"
120F-FPS-C049	12,000	5,450	49"	1.8"-45.5"	6.0"	IV	41"	621	282	4.00"	2.3"	16.9"	34.0"
120F-FPS-C054	12,000	5,450	54"	1.8"-50.5"	6.0"	IV	46"	677	307	4.00"	2.3"	16.9"	34.0"
120F-FPS-C061	12,000	5,450	61"	1.8"-57.5"	6.0"	IV	49"	734	333	4.00"	2.3"	16.9"	34.0"
120F-FPS-C072	12,000	5,450	72"	1.8"-68.5"	6.0"	IV	61"	865	393	4.00"	2.3"	16.9"	34.0"

- ① 55F adjustable to 4"-wide forks-deduct 2" from outside spread dimension; 100F adjustable to 5" forks-deduct 2" from outside spread dimension. 120F ITO as shown. F-Series fork positioners can accommodate high shank forks. Other fork pocket widths available. Consult Cascade.
- ② Class III available, Class II forks required for mounting on 55F Fork Positioner.
- ▶ Forks are not included with attachment.
- ▶ For 15,000 lbs capacity, class IV requirements, refer to the 150H Fork Positioner.

- ▶ Optional fork pocket widths available. Consult Cascade.
- ▶ 60" fork maximum length. For longer forks, Consult Cascade.
- ▶ Not recommended for clamping between forks.
- ▶ 8" total sideshift-For non-sideshift option.