



Built for fast, efficient, and productive handling of agricultural and other bins.

Securely hold steel, wood or plastic bins during rotation.

APPLICATIONS

Designed to handle a variety of bin sizes without damaging the bin. The Hydraulic Bin Retainer accommodates plastic and wood bins used in the agricultural markets such as handling grapes, apples, pears, potatoes, nuts and seed. The Hydraulic Bin Retainer is also popular with the industrial sector handling steel bins used to transport scrap metal and paper waste. Bins are held securely on the forks preventing slippage and damage to the bins when rotated.

OPTIONS

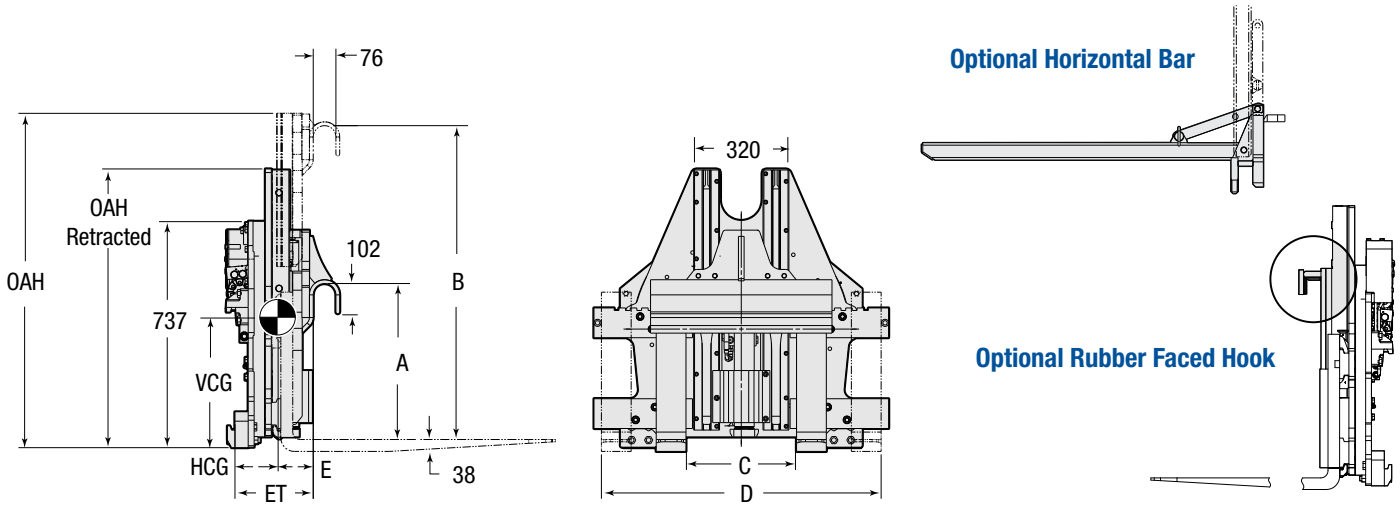
- Custom bin dimensions
- Extended ranges available
- Extended capacities
- Side stabilizer
- Alternate hook profiles
- Extended reach hook
- Custom hook widths
- Sequencing valve that automatically starts rotation function after Hydraulic Bin Retainer clamps load

FEATURES

- Heavy-duty 360° Cascade rotator that rotates in both directions
- Bin Retainer is fabricated from proven D-Series extrusions
- Ranges to match a variety of bin sizes
- Pressure reduction valve to prevent excessive force on bin



HYDRAULIC BIN RETAINER



Catalogue Order No. ①	Capacity @ Load Centre kg@mm	Minimum Hook Height (mm) A	Maximum Hook Height (mm) B	Bin Range	Mounting Class	Minimum Fork Spread ITI (mm) C	Maximum Fork Spread (mm) ② D	Weight kg	Effective Thickness (mm) ET	Horizontal Centre of Gravity (mm) HCG	Vertical Centre of Gravity (mm) VCG	Overall Height OAH (mm) (Min./Max.)	Lost Fork Length (mm) E
45G-RLH-01A	2045@600	305	762	330-610	2	432	940	557	272	198	259	800/1145	66
45G-RLH-03A	2045@600	584	1168	610-1016	2	432	940	572	272	196	292	927/1372	66
45G-RLH-05A	2045@600	990	1549	1016-1397	2	432	940	571	272	196	335	1029/1613	66
45G-RLH-01B	2045@600	305	762	330-610	3	432	940	581	302	224	257	800/1145	66
45G-RLH-03B	2045@600	584	1168	610-1016	3	432	940	595	302	218	290	927/1372	66
45G-RLH-05B	2045@600	990	1549	1016-1397	3	432	940	594	302	218	330	1029/1613	66

① Specifications shown are for a combined 45G-RRB-20A Rotator, Hydraulic Bin Retainer without forks. For specifications with a different combination of components, Consult Cascade.

② Optional fork bar widths available.

③ Optional side fork stabilizer available.

► Forks not included with Hydraulic Bin Retainer.

► Configurations shown are typical, for application specific design, Consult Cascade.

► A horizontal bar may be required when used with certain bins, Consult Cascade.

Mounting Class Information

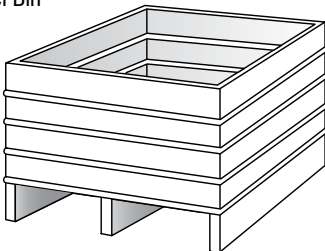
Mounting Class	Truck Capacity at Loadcentre
2	1000-2500 kg at 500 mm
3	2501-4999 kg at 500 mm

Hydraulic Functions

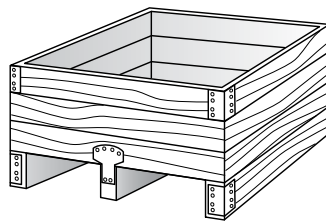
Hydraulic Functions	Truck Auxiliary Valves Required
2	2*

*Note: Rotation function 1—Hydraulic Bin Retainer function 2

Steel Bin



Wood Bin



Plastic Bin

