



## Rubber Covered Arms Ensure A Secure Grip Without Damage.

*For faster, safer  
and more  
precise handling.*

### APPLICATIONS

Used to handle a wide variety of corrugated, metal and wooden containers as well as baled product. Substantially reduce or completely eliminate the need for pallets and the associated cost of pallet purchase or rental, maintenance, disposal and storage. Thin arm profile plus hydraulic sideshift enables close stacking.

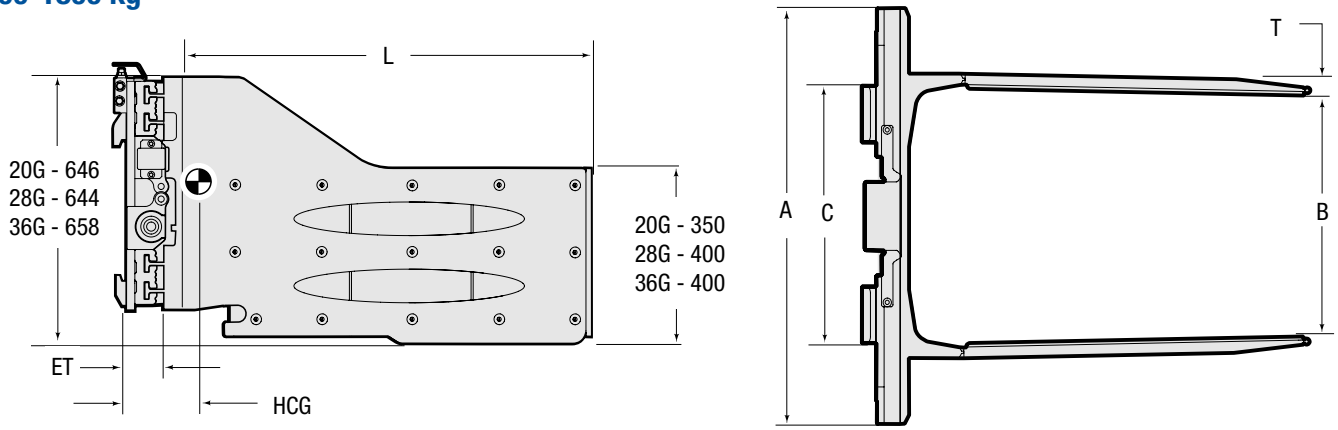
### FEATURES

- Proven durable all steel frame sections, extruded alloy steel arm bars, cast arm bases ensure long, useful life.
- Pressure protected on all hydraulic functions. Available for both High or Low pressure truck systems.
- Full Length, one-piece UHMW replaceable arm bearings are highly wear resistant for long service life.
- Thin arm profile for knifing between tightly spaced loads.
- Maximum driver visibility over and through the frame.
- Built-in hydraulic flow dividers and bi-directional relief valve guarantee fast and uniform arm movement.

### OPTIONS

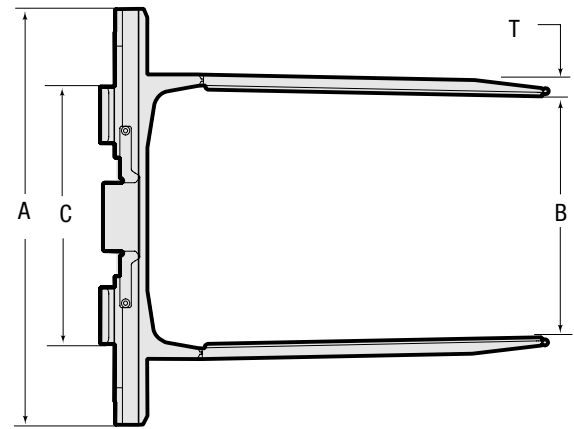
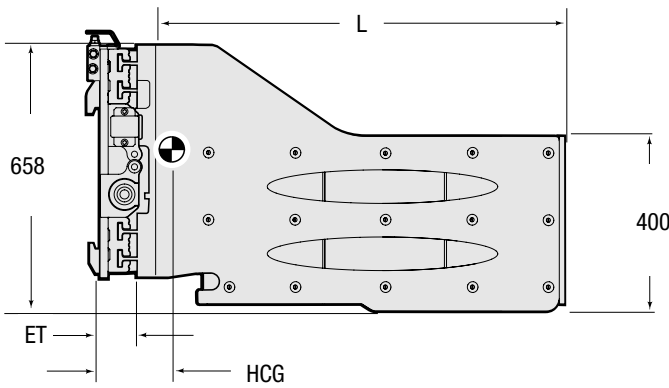
- Special frame widths and opening ranges.
- High (190 bar) and Low pressure (155 bar) hydraulics systems available.
- Basic, sideshifting and revolving (360°) models.
- Independent arm control.
- Regeneration valve (faster opening speed for low flow electric trucks). For electric trucks or those with low flow hydraulics (under 20 l / minimum).
- External sideshifting mounting. (200 mm restricted sideshift movement).
- Integral hydraulic sideshifting.
- Hose and valve protection guard.

1000-1800 kg



Catalogue Order No.	Capacity @ Load Centre	Frame Width (mm)	Opening Range (mm)	Arm Length (mm)	Arm Thickness (mm)	Minimum Truck Carriage Width (mm)	Effective Thickness (mm)	Horizontal Centre of Gravity (mm)	Weight	Mounting Class
	kg @ mm	A	B	L	T	C	ET	HCG	kg	ISO 2328
20G-MCS-A111	1000@500	850	565-1615	700	41	835	108	192	273	2A
20G-MCS-A112	1000@500	850	545-1595	900	50	835	108	256	301	2A
20G-MCS-A211	1000@500	950	465-1515	700	41	835	108	189	278	2A
20G-MCS-A212	1000@500	950	440-1490	900	50	835	108	252	307	2A
20G-MCS-A221	1000@500	950	560-1775	700	41	835	108	187	282	2A
20G-MCS-A222	1000@500	950	540-1755	900	50	835	108	249	311	2A
20G-MCS-A311	1000@500	1050	445-1650	700	41	835	108	184	288	2A
20G-MCS-A312	1000@500	1050	440-1655	900	50	835	108	245	317	2A
28G-MCS-A211	1400@500	950	475-1600	700	40	835	114	192	315	2A
28G-MCS-A213	1400@500	950	445-1570	1000	60	835	114	286	363	2A
28G-MCS-A221	1400@500	950	520-1690	700	40	835	114	191	318	2A
28G-MCS-A223	1400@500	950	485-1655	1000	60	835	114	285	365	2A
28G-MCS-A321	1400@500	1050	575-1915	700	40	835	114	186	330	2A
28G-MCS-A323	1400@500	1050	540-1880	1000	60	835	114	277	378	2A
28G-MCS-A511	1400@500	1150	455-1770	700	40	835	114	184	334	2A
28G-MCS-A513	1400@500	1150	420-1735	1000	60	835	114	275	382	2A
28G-MCS-A721	1400@500	1250	565-2095	700	40	835	114	179	351	2A
28G-MCS-A723	1400@500	1250	530-2060	1000	60	835	114	266	398	2A
36G-MCS-A211	1800@500	950	450-1570	700	43	835	123	196	349	2A
36G-MCS-A213	1800@500	950	420-1540	1000	59	835	123	288	401	2A
36G-MCS-A221	1800@500	950	530-1720	700	44	835	123	194	354	2A
36G-MCS-A223	1800@500	950	500-1690	1000	59	835	123	285	406	2A
36G-MCS-A311	1800@500	1050	450-1670	700	43	835	123	191	361	2A
36G-MCS-A313	1800@500	1050	420-1640	1000	59	835	123	281	413	2A
36G-MCS-A321	1800@500	1050	570-1910	700	44	835	123	189	368	2A
36G-MCS-A323	1800@500	1050	540-1880	1000	59	835	123	278	420	2A
36G-MCS-A511	1800@500	1150	470-1810	700	43	835	123	186	375	2A
36G-MCS-A513	1800@500	1150	440-1780	1000	59	835	123	274	427	2A
36G-MCS-A521	1800@500	1150	560-1990	700	44	835	123	186	378	2A
36G-MCS-A523	1800@500	1150	530-1960	1000	59	835	123	273	430	2A
36G-MCS-A711	1800@500	1250	450-1870	700	43	835	123	183	385	2A
36G-MCS-A713	1800@500	1250	420-1840	1000	59	835	123	269	437	2A
36G-MCS-A721	1800@500	1250	595-2160	700	44	835	123	181	393	2A
36G-MCS-A723	1800@500	1250	565-2130	1000	59	835	123	266	444	2A

- ▶ Frame bumper not included.
- ▶ Standard open and close on RH, sideshift connection on LH of valve. Cascade can supply open and close on LH and SS on RH side of valve.
- ▶ Lift trucks with auxiliary pressures between 155 and 189 bar max. require low pressure attachments. Lift trucks with auxiliary pressures between 190 and 250 bar max. require high pressure attachments.
- ▶ Multi-purpose clamps are standard with rubber-faced contact pads.
- ▶ Class B mounting available.
- ▶ Integrated Sideshifting



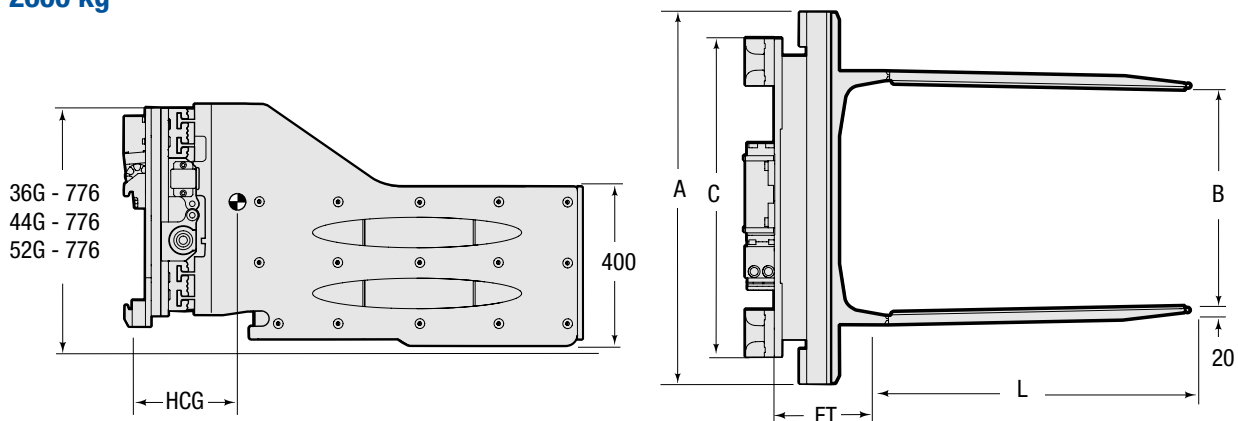
Catalogue Order No.	Capacity @ Load Centre	Frame Width (mm)	Opening Range (mm)	Arm Length (mm)	Arm Thickness (mm)	Minimum Truck Carriage Width (mm)	Effective Thickness (mm)	Horizontal Centre of Gravity (mm)	Weight (kg)	Mounting Class
	kg @ mm	A	B	L	T	C	ET	HCG		
44G-MCS-A211	2200@500	950	445-1565	700	48	835	141	203	381	2①
44G-MCS-A213	2200@500	950	420-1540	1000	61	835	141	295	437	2①
44G-MCS-A221	2200@500	950	525-1725	700	48	835	141	201	386	2①
44G-MCS-A223	2200@500	950	500-1700	1000	61	835	141	292	442	2①
44G-MCS-A311	2200@500	1050	445-1665	700	48	835	141	198	393	2①
44G-MCS-A313	2200@500	1050	420-1640	1000	61	835	141	288	449	2①
44G-MCS-A321	2200@500	1050	570-1915	700	48	835	141	196	401	2①
44G-MCS-A323	2200@500	1050	545-1890	1000	61	835	141	285	457	2①
44G-MCS-A511	2200@500	1150	465-1805	700	48	835	141	193	408	2①
44G-MCS-A513	2200@500	1150	440-1780	1000	61	835	141	281	464	2①
44G-MCS-A521	2200@500	1150	555-1985	700	48	835	141	192	414	2①
44G-MCS-A523	2200@500	1150	530-1960	1000	61	835	141	279	470	2①
44G-MCS-A711	2200@500	1250	445-1865	700	48	835	141	190	419	2①
44G-MCS-A713	2200@500	1250	420-1840	1000	61	835	141	276	475	2①
44G-MCS-A721	2200@500	1250	590-2155	700	48	835	141	188	427	2①
44G-MCS-A723	2200@500	1250	565-2130	1000	61	835	141	273	483	2①
44G-MCS-A941	2200@500	1350	720-2520	700	48	835	141	183	448	2①
44G-MCS-A943	2200@500	1350	695-2495	1000	61	835	141	265	504	2①
52G-MCS-B313	2600@500	1050	440-1655	1000	63	924	160	271	540	3A
52G-MCS-B314	2600@500	1050	410-1630	1200	79	924	160	333	582	3A
52G-MCS-B323	2600@500	1050	590-1930	1000	63	924	160	269	623	3A
52G-MCS-B324	2600@500	1050	560-1900	1200	79	924	160	330	592	3A
52G-MCS-B523	2600@500	1150	550-1980	1000	63	924	160	263	564	3A
52G-MCS-B524	2600@500	1150	520-1950	1200	79	924	160	323	604	3A
52G-MCS-B713	2600@500	1250	460-1900	1000	63	924	160	260	572	3A
52G-MCS-B714	2600@500	1250	430-1870	1200	79	924	160	320	614	3A
52G-MCS-B733	2600@500	1250	660-2300	1000	63	924	160	255	585	3A
52G-MCS-B734	2600@500	1250	635-2280	1200	79	924	160	314	627	3A
52G-MCS-B943	2600@500	1350	745-2570	1000	63	924	160	250	608	3A
52G-MCS-B944	2600@500	1350	715-2540	1200	79	924	160	307	650	3A

① 44G : Mounting Class 3A available - Consult Cascade for specifications.

- ▶ Standard open and close on RH, sideshift connection on LH of valve. Cascade can supply open and close on LH and SS on RH side of valve.
- ▶ Lift trucks with auxiliary pressures between 155 and 189 bar max. require low pressure attachments. Lift trucks with auxiliary pressures between 190 and 250 bar max. require high pressure attachments.

- ▶ Multi-purpose clamps are standard with rubber-faced contact pads.
- ▶ Class B mounting available.
- ▶ Integrated Sideshifting

## 1800-2600 kg



Catalogue Order No.	Capacity @ Load Centre	Frame Width (mm)	Opening Range (mm)		Arm Length (mm)	Minimum Truck Carriage Width (mm)	Effective Thickness (mm)	Horizontal Centre of Gravity (mm)	Weight (kg)	Mounting Class
	kg @ mm		A	B						
36G-MCR-A211	1800@500	950	450-1570	700	813	230	218	552	2A	
36G-MCR-A213	1800@500	950	420-1540	1000	813	230	287	604	2A	
36G-MCR-A221	1800@500	950	530-1720	700	813	230	218	556	2A	
36G-MCR-A223	1800@500	950	500-1690	1000	813	230	286	608	2A	
36G-MCR-A311	1800@500	1050	450-1670	700	813	230	218	565	2A	
36G-MCR-A313	1800@500	1050	420-1640	1000	813	230	285	617	2A	
36G-MCR-A321	1800@500	1050	570-1910	700	813	230	218	572	2A	
36G-MCR-A323	1800@500	1050	540-1880	1000	813	230	284	624	2A	
44G-MCR-A211	2200@500	950	445-1565	700	813	238	228	585	2①	
44G-MCR-A213	2200@500	950	420-1540	1000	813	238	298	641	2①	
44G-MCR-A221	2200@500	950	525-1725	700	813	238	228	590	2①	
44G-MCR-A223	2200@500	950	500-1700	1000	813	238	298	646	2①	
44G-MCR-A311	2200@500	1050	445-1665	700	813	238	227	598	2①	
44G-MCR-A313	2200@500	1050	420-1640	1000	813	238	296	654	2①	
44G-MCR-A321	2200@500	1050	570-1915	700	813	238	226	606	2①	
44G-MCR-A323	2200@500	1050	545-1890	1000	813	238	294	662	2①	
52G-MCR-B313	2600@500	1050	450-1675	1000	813	279	328	715	3A	
52G-MCR-B314	2600@500	1050	420-1650	1200	813	279	380	757	3A	
52G-MCR-B323	2600@500	1050	590-1930	1000	813	279	327	725	3A	
52G-MCR-B324	2600@500	1050	560-1900	1200	813	279	378	767	3A	
52G-MCR-B523	2600@500	1150	560-1990	1000	813	279	325	738	3A	
52G-MCR-B524	2600@500	1150	530-1960	1200	813	279	375	780	3A	

① 44G : Mounting Class 3A available - Consult Cascade for specifications.

- ▶ G-Series : Lift trucks with auxiliary pressures between 155 and 189 bar max. require low pressure attachments. Lift trucks with auxiliary pressures between 190 and 250 bar max. require high pressure attachments.
- ▶ Multi-purpose clamps are standard with rubber-faced contact pads.
- ▶ Frame bumper not included.