



Durable paper roll clamp for handling two to ten rolls in high cycle operations.

Handle two to ten rolls at a time

APPLICATIONS

Designed for mills and stevedores where multiple roll handling improves productivity. Cascade's Single and Double Stack Tower Clamps are application rated and field proven for demanding high-cycle operations. Single Tower Clamps handle up to four rolls, while Double Tower Clamps handle as many as ten rolls.

FEATURES

- High-strength tubular frame construction
- Hoses routed inside for maximum protection
- Vertical mounting frames located in front of mast rails for unparalleled visibility
- High-grip contact pad surfaces for reduced clamp force requirements
- Split arms for variations of roll diameters
- Lube-free pivot bushings provide longer service life
- Articulating center arm eliminates nip point damage
- Check valves and cylinders can be serviced without clamp disassembly

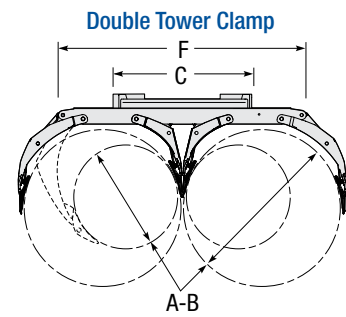
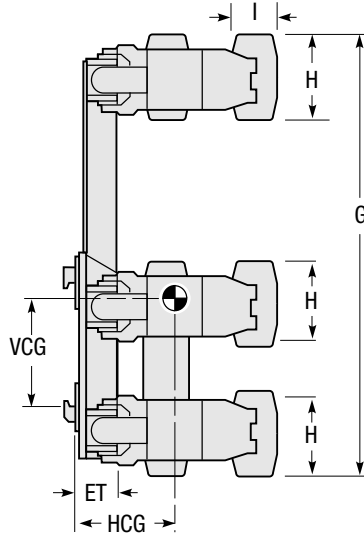
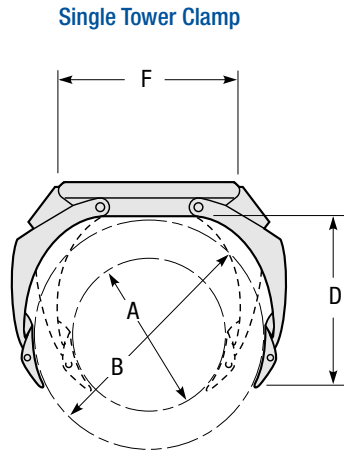
MODELS

- Available for handling newsprint, coated stock, kraft and linerboard
- Various size rolls from 813mm to 1,800mm
- Full or half rolls
- One or two stacks

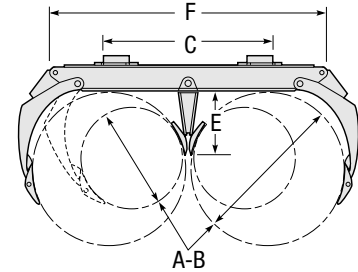


TOWER CLAMP

4500-12000 kg



Hydraulically Positionable Centre Arms



Fixed Centre Arm

Non Rotating

Catalogue Order No.	Capacity @ Diameter kg@mm	Roll Range A-B	Mounting Class	Minimum Truck Carriage Width C	Weight kg	Horizontal Centre of Gravity HCG	Vertical Centre of Gravity VCG	Arm Length D	Centre Arm Length E	Frame Width F	Overall Height G	Pad Height H	Pad Width I
Single													
45H-TCS-X04	4500@1295	815-1295	4						④	③		400	240
50H-TCS-X06	5000@1605	815-1600	4		Consult Cascade				④	③		420	255
60H-TCS-X08	6000@1805	815-1800	5①②						④	③		420	255
Double - Fixed Centre Arm													
75H-TCD-X04	7500@1300	715-1295	①②							③		400	240
120H-TCD-X04	12000@1300	785-1295	①②		Consult Cascade					③		420	255
120H-TCD-X06	12000@1520	785-1525	①②							③		420	255
Double - Hydraulic Centre Arm													
75H-TCD-X05	7500@1300	715-1295	①②							③		400	240
120H-TCD-X05	12000@1300	715-1295	①②		Consult Cascade					③		420	255
120H-TCD-X07	12000@1520	715-1525	①②							③		420	255

Options

The Tower Clamp specifications and Configurations shown in the chart are base units. These are configurable to meet specific application needs with the following modifications.

- Hydraulically extendable upper arms
- Contact Pads: Flexipad, Bonded Rubber, Bonded UDP, Bolt-On-Rubber.
- AFC (Adaptive Force Control)
- Custom roll size ranges handled against the bumper
- Custom pad sizes and location modifications
- Integral Sideshifter
- Integral mounting

Notes:

Attachment capacity is a structural rating only. The type of product to be handled as well as the operating conditions must be considered to determine the working capacity for each application. Actual attachment/truck net working capacities must be obtained from the lift truck manufacturer. Only capacity ratings obtained from the lift truck manufacturer may be entered on the truck's nameplate.

- ① Integral sideshift available as an option. Consult Cascade.
- ② Pin Mounting or Class 5 mounting available. Consult Cascade.
- ③ Fixed upper arm and hydraulically adjustable upper arm are available. The location of the pads are dependent on roll size being handled. Consult Cascade.
- ④ Does not apply.

Hydraulic Functions

Hydraulic Functions	Truck Aux. Valves Required
1	1

Installation Kit

Order No.	Order No. JIC
783070	675157

Hydraulic Flow & Pressure

Model	Minimum Pressure bar	Maximum Pressure bar	Number of Functions	Rotate Min-Rec-Max Function 1/lpm	Clamp Min-Rec-Max Function 2/lpm	Swing Min-Rec-Max Function 3/lpm
Single Tower Clamp	35	160	1	n/a	38 57 76	n/a
Double Tower Clamp	35	160	1	n/a	57 76 95	n/a

Cascade (UK) Ltd • 3 Kelbrook Road • Parkhouse Industrial Estate • Openshaw • Manchester M11 2DD • England • Tel. (free phone) 0800 243015 • Fax. +44-(0)161 438 4055
 Cascade European Headquarters • Via Dell'Artigianato 1 • 37050 Vago di Lavagno (VR) • Italy • Tel. +39-045-8989111 • Fax +39-045-8989160