



## Allows the handling of a single pallet or two pallets side by side.

*Designed to provide exceptional visibility and versatility while multiplying your productivity.*

### APPLICATIONS

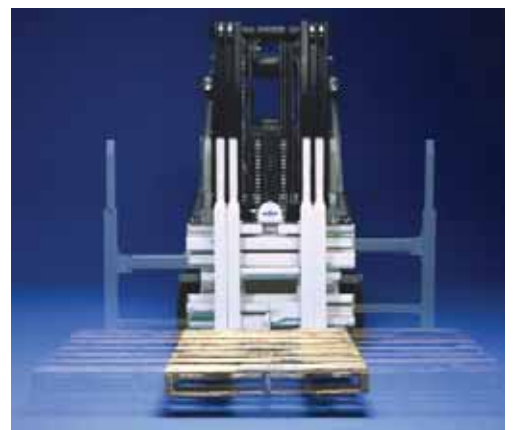
Designed for the bottling, brewing, production or warehouse/shipping industries, Cascade's Multiple Pallet Handler allows single pallet handling without protrusion outside the truck profile. Spreading the forks hydraulically allows handling of two pallets side by side. Sideshifting provides added flexibility for aligning forks or pallets in tight areas.

### FEATURES

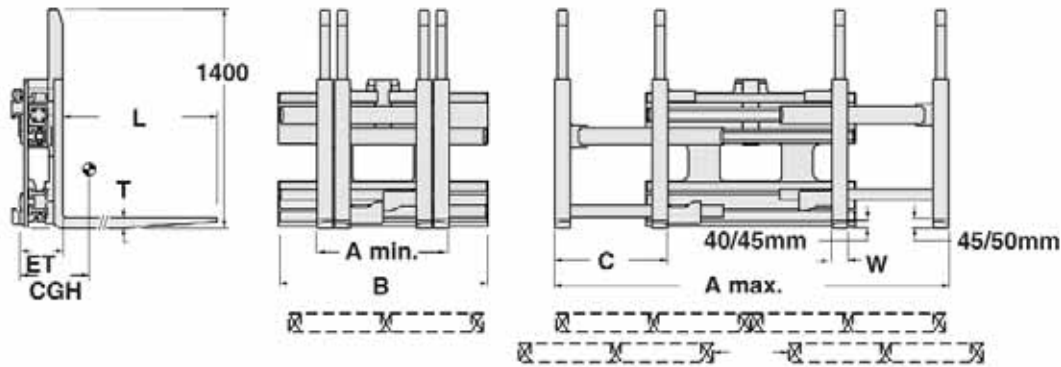
- Excellent driver visibility allows the driver to work faster and more productively
- Protected components minimize the possibility of damage and leakage
- Durable bearings provide longer life and reduced maintenance costs
- Easier serviceability reduces downtime and maintenance costs

### OPTIONS

- Interlocking finger load backrests or center load backrest
- Various load backrest heights, fork lengths and sections
- Various fork set spreads and opening ranges
- Quick-disconnect lower hooks
- Drop shank forks—forks are lowered relative to the attachment frame
- Fork wear strips—hardened steel bars added to bottom of forks and attachment frame to reduce fork wear
- Independent fork set control—allows moving left or right fork set independent of the opposite fork set



# MULTIPLE PALLET HANDLERS



Model	Capacity at loadcentre kg/mm	Opening range over outer forks A (mm)	Frame width B (mm)	Fork set spread C (mm)	Fork length x section LxWxT (mm)	Sideshift stroke (mm)	Sideshift stroke (mm)	Effective thickness ET (mm)	Centre of gravity CGH (mm)	Mass kg	Mounting Class ISO-2328
<b>Multi load handler for 4 "half" euro-pallets or 2 euro pallets</b>											
40E-FDS-A501	2000 /600	520-1650	970	520	1150x80x40	200	200	215	195	480	2A
<b>General multi load handler - for international pallets 1200x1000mm</b>											
55E-FDS-A500	2500 /600	660-2040	1070	640	1150x80x40/45	200	200	220	215	519	2
55E-FDS-B500	2500 /600	660-2040	1070	640	1150x80x40/45	200	200	220	218	527	3
55E-FDS-B510	2600 /600	660-2040	1070	640	1150x80x45/50	200	200	225	229	549	3
70E-FDS-B500	3200 /600	660-2070	1250	640	1150x80x50	200	200	241	227	670	3
80E-FDS-B500	3600 /600	660-2070	1250	640	1150x80x60	200	200	246	252	749	3
80E-FDS-C500	3600 /600	660-2070	1250	640	1150x80x60	200	200	246	252	749	4A
<b>General multi load handler - for euro-pallets 1200x800mm</b>											
55E-FDS-A501	2500 /600	560-1970	1200	560	1150x80x40/45	200	200	220	218	538	2
55E-FDS-B501	2500 /600	560-1970	1200	560	1150x80x40/45	200	200	220	218	546	3
55E-FDS-B511	2600 /600	560-1970	1200	560	1150x80x45/50	200	200	225	229	568	3
70E-FDS-B501	3200 /600	560-1970	1250	560	1150x80x50	200	200	241	227	670	3
80E-FDS-B501	3600 /600	560-1970	1250	560	1150x80x60	200	200	246	252	749	3
80E-FDS-C501	3600 /600	560-1970	1250	560	1150x80x60	200	200	251	252	749	4A
<b>Fruit Auction multi load handler - for auction pallets 1200x1000mm</b>											
55E-FDS-A520	2500 /600	815-2210	1070	710	1000x80x40/45	200	200	220	193	511	2
55E-FDS-B520	2500 /600	815-2210	1070	710	1000x80x40/45	200	200	220	195	518	3
55E-FDS-A521	2500 /600	700-2100	1070	685	1000x80x40/45	200	200	220	195	505	2
55E-FDS-B521	2500 /600	700-2100	1070	685	1000x80x40/45	200	200	220	198	513	3
<b>Four pallet handler - for euro-pallets 1200x800mm</b>											
80E-FDS-B506	1800 /1200	560-1970	1250	560	2400x80x65	200	200	251	557	949	3
80E-FDS-C506	1800 /1200	560-1970	1250	560	2400x80x65	200	200	251	557	949	4A
60D-FDS-B739	2600 /1200	560-1995	1400	560	2400x80x70	200	200	245	265	940	3A
60D-FDS-C739	2600 /1200	560-1995	1400	560	2400x80x70	200	200	252	290	980	4A
100D-FDS-CX19	4500 /1200	560-1970	1600	560	2400x80x70	200	200	280	391	1240	4A
<b>Four pallet handler - for international pallets 1200x1000mm</b>											
80E-FDS-B505	1800 /1200	660-2070	1250	640	2400x80x65	200	200	251	557	949	3
80E-FDS-C505	1800 /1200	660-2070	1250	640	2400x80x65	200	200	251	557	949	4A

## HYDRAULIC FLOW (L/MIN) / HYDRAULIC FUNCTIONS

Model	Min. flow	Recomm. Flow	Max. flow	Max. Pressure (bar)	Hydraulic Functions	Truck auxiliary valves required
100D-FDS	15	26	38	180	2	2
40E-FDS	15	26	38	180	2	2
55E-FDS	15	26	38	180	2	2
60D-FDS	15	26	38	180	2	2
70E-FDS	15	26	38	180	2	2
80E-FDS	15	26	38	180	2	2